

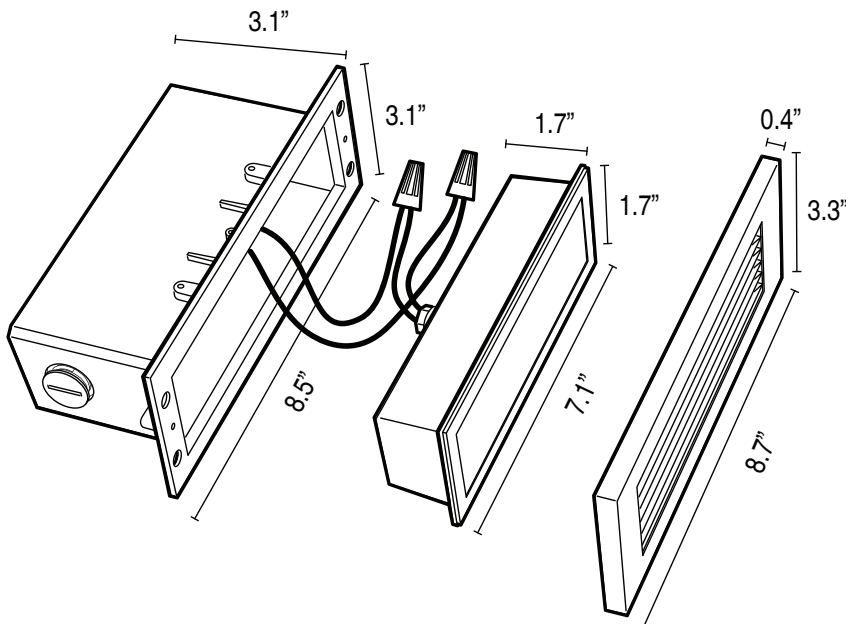
Date: \_\_\_\_\_ Job: \_\_\_\_\_ Type: \_\_\_\_\_  
 Notes: \_\_\_\_\_



The SW-UNV-5 brick light is a recessed fixture designed to illuminate steps and walkways. The die-cast housings and trims are both made from zinc alloys for excellent corrosion resistance. This fixture was designed for durability and comes with a 5 year warranty.



## Dimensions



**Technical Specifications:**

Operating Voltage	100-277VAC
Power Consumption	5W
Lumens	315lm (source), 79 - 312lm (delivered)
Color Temperature	3000K
CRI	80+
LED Life	50,000 hrs
Housing Material	Die-cast zinc aluminum
Lens	Tempered glass / Polycarbonate (Recessed Trim)
Trim Material	Die-cast zinc magnesium
Trim Style	Flat / Louver / Recessed
Trim Finishes	Black / Brushed Nickel / White
Hardware	304 Stainless steel (tamper resistant)
Warranty	5 years

**Ordering Code:**

**Housing**



**Fixture**



**TRIM**

- F - Flat
- L - Louver
- R - Recessed

**FINISH**

- BL - Black
- BN - Brushed Nickel
- WH - White