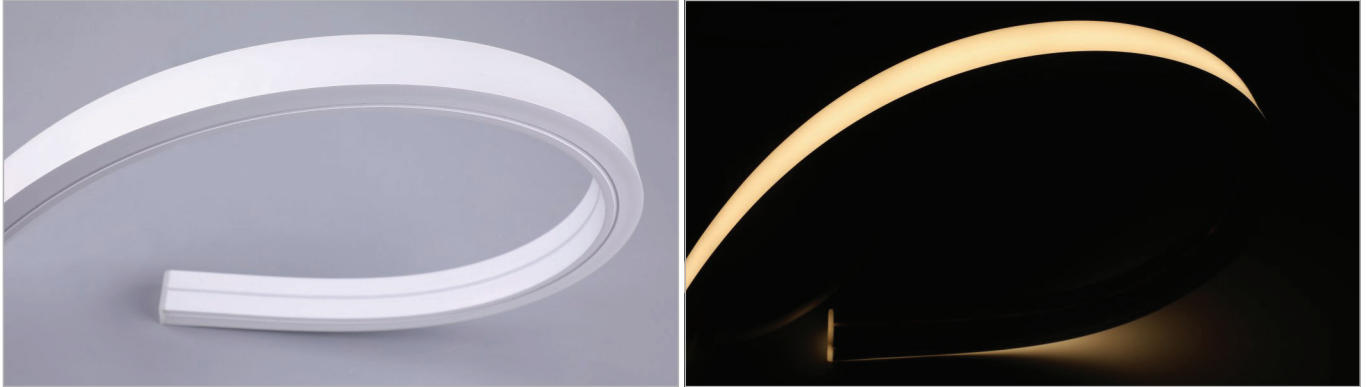


Date: _____	Job: _____	Type: _____
Notes: _____		



The TL120NEON-TB uses high efficacy LED chips to produce outstanding illumination. There are CRI options of 80+ and 90+, meeting your color rendering requirements. The color uniformity is further ensured by 3-step MacAdam ellipse binning. Maximum run for the TL120NEON-TB is 164ft. Dotless and diode free imaging is guaranteed.

IP65

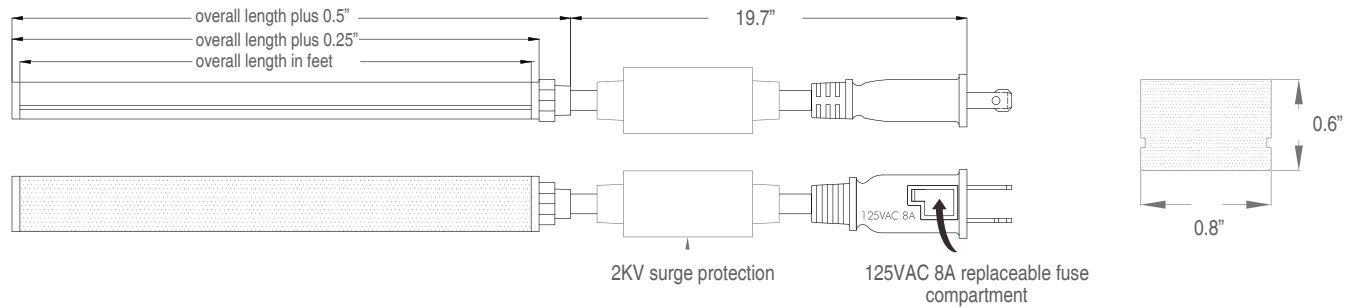


Technical Specifications:

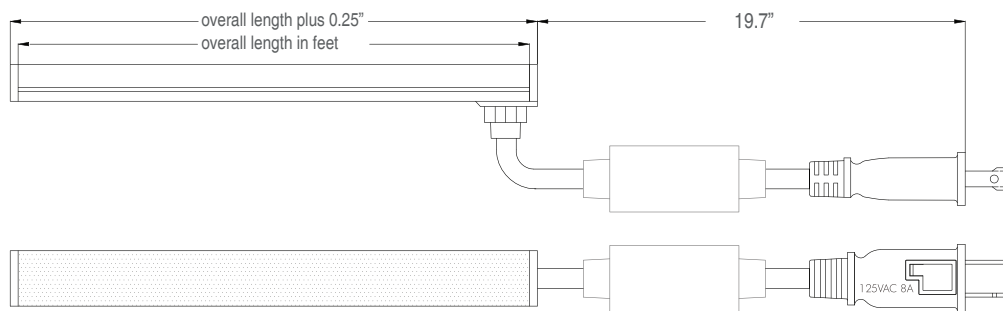
Operating Voltage	120VAC
Power Consumption	4.2W/ft
Lumens/ft (4000K - 80+ / 90+ CRI)	256lm/ft / 216lm/ft
Efficacy (4000K - 80+ / 90+ CRI)	61lm/W / 52lm/W
Beam Spread	120°
Color Temperatures	2700K, 3000K, 3500K, 4000K, 5000K, 6500K
CRI	80+ / 90+
LED Life	50,000 hrs
Cutable Increments	12"
Maximum Run Length	164'
Warranty	5 years
Certification	cETLus - UL2388 (plug) / UL1598 (hard wire)

Dimensions:

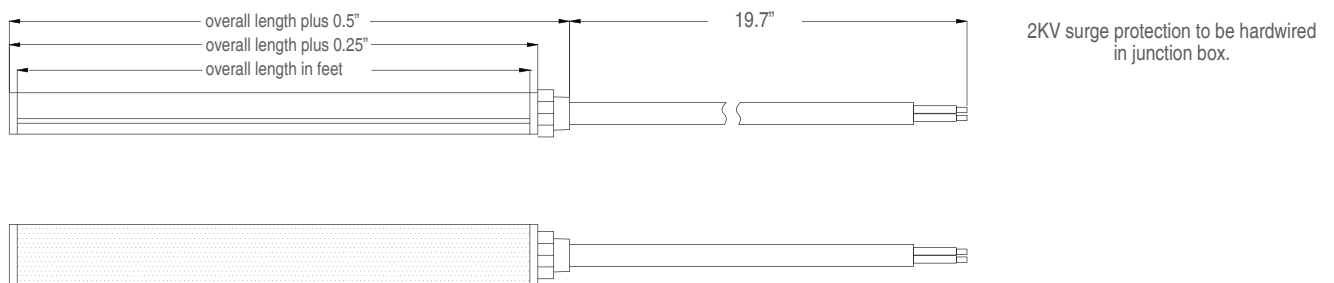
TL120NEON-TB-PFIP - Power feed inline plug



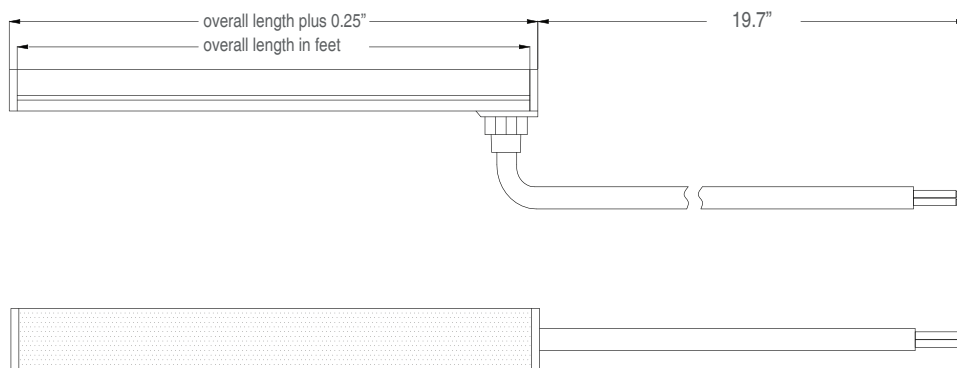
TL120NEON-TB-PFBP - Power feed bottom plug



TL120NEON-TB-PFIH - Power feed inline hardwire



TL120NEON-TB-PFBH - Power feed bottom hardwire



Accessories / Installation:

Minimum groove size

0.94"

0.67"

Surface Mount Recessed Mount

TL120NEON-TB-SSC - Stainless steel mounting clip (one clip per foot)

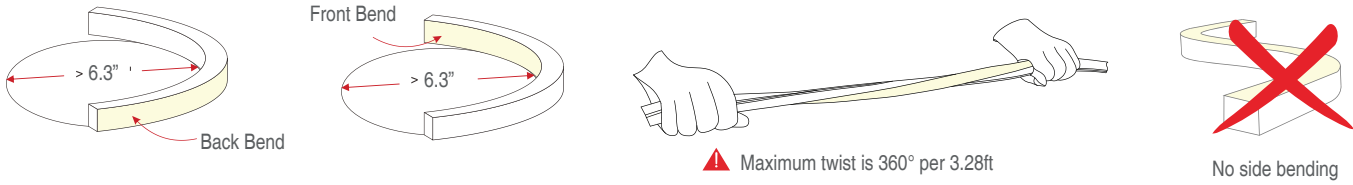
Surface Mount

TL120NEON-TB-PCC - Poly carbonate mounting clip (one clip per foot)

Surface Mount

TL120NEON-TB-AC - Aluminum mounting channel

Accessories / Installation:



Ordering Code:

TL120NEON - TB - - -

CRI / CCT

- 827 - 80+ / 2700K
- 830 - 80+ / 3000K
- 835 - 80+ / 3500K
- 840 - 80+ / 4000K
- 850 - 80+ / 5000K
- 865 - 80+ / 6500K
- 927 - 90+ / 2700K
- 930 - 90+ / 3000K
- 935 - 90+ / 3500K
- 940 - 90+ / 4000K
- 950 - 90+ / 5000K
- 965 - 90+ / 6500K

POWER FEED

- PFIP - Inline Plug
- PFBP - Bottom Plug
- PFIH - Inline Hardwire
- PFBH - Bottom Hardwire

ROLL LENGTH

- 50 - 50M (164ft)
- XX - Custom