

Date: _____	Job: _____	Type: _____
Notes: _____		Quantity: _____



IP65

TITLE
24
JA8
COMPLIANT

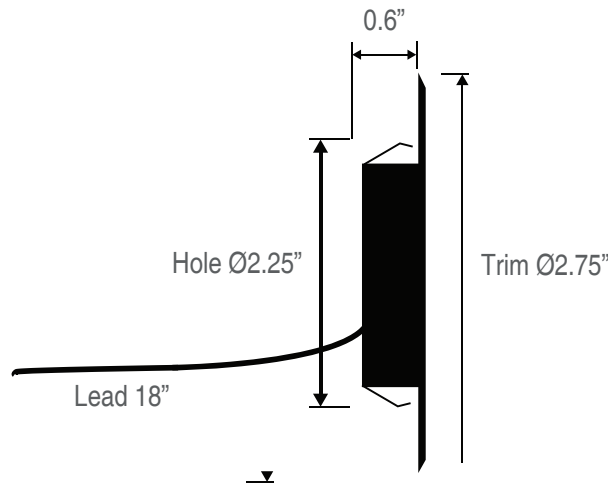


The MSW124 is an indoor/outdoor LED step/wall light. With a CRI of 90+ this LED step light offers exceptional color rendering. The MSW124 is offered in multiple CCTs, RGB, RGBW and Classic Dim (DtW) options.

Technical Specifications:

Operating Voltage	12VDC
Power Consumption	4W
Lumens Delivered (3000K, without scoop)	277lm
Efficacy (3000K)	74lm/W
IES File (3000K)	
LED Chips	Static Color - COB / CD(DtW) - Array
Color Temperatures	2700K, 3000K, 4000K, RGB, RGBW, CD (DtW)
CRI	90+
R9 Value	54
MacAdam Ellipse Binning	3-step
LED Life	50,000 hrs
Dimmable	YES (2%)
Warranty	5 years

Dimensions:



Ordering Code:

MSW124	-		-	
		CRI / CCT		FINISH
		927 - 90+ / 2700K		BL - Black
		930 - 90+ / 3000K		BS - Brushed Steel
		940 - 90+ / 4000K		WH - White
		RGB - RGB		
		RGBW - RGB White		
		CD - Classic Dim (DtW)		
		3000-1800K		

Driver Cutsheets:

DESCRIPTION	INPUT	OUTPUT	WATTAGES	SPECIFICATION SHEETS
Non-Dimming Indoor	120VAC	12VDC	15W, 30W	DR-12VDC
Non-Dimming Indoor/Outdoor	120VAC	12VDC	30W-264W	DR-12VDC-OUT
Universal Phase Dimming Indoor	120VAC	12VDC	24W 48W 60W	DR-12VDC-DIMA
Univ. Phase/0-10V Dimming Ind./Out.	100-277VAC	12VDC	30W-300W	DR-12VDC-DIMS-UNV
RGB/W Controller Indoor	12-36VDC	12VDC	768W max.	DR-RGBW-WIFI-CON
RGB/W Controller Outdoor	12-24VDC	12VDC	480W max.	DR-RGBW-WIFI-CON-OUT
RGB/W DMX Controller	120VAC	12VDC	N/A	DR-DMX-RGBW-WIFI-CON
5 Channel DMX Decoder	12VDC	12VDC	960W max.	DR-DMX-5CH-DEC

Voltage Drop Calculator:

Wire Gauge Calculator - Load vs AWG vs Max. Distance Away From Driver

LOAD	10W	20W	30W	40W	50W	60W
WIRE GAUGE						
20AWG	18 ft	9 ft	6 ft	5 ft	4 ft	3 ft
18AWG	34 ft	17 ft	11 ft	8 ft	6 ft	5 ft
16AWG	54 ft	27 ft	18 ft	13 ft	10 ft	9 ft
14AWG	86 ft	43 ft	29 ft	21 ft	17 ft	14 ft
12AWG	134 ft	68 ft	45 ft	34 ft	27 ft	22 ft
10AWG	199 ft	99 ft	66 ft	49 ft	39 ft	33 ft