

PROJECT	TYPE	NOTES

OVERVIEW

The universal series drivers are one size fits all solution for indoor and outdoor lighting applications. Universal input of 100-277V, universal phase dimming (forward and reverse) to 1%, as well as 0.5% dimming in 0-10V.



TECHNICAL SPECIFICATIONS

Input Voltage	120-277VAC
Output Voltage	24VDC
Rated Power	96W
Power Factor (at full load)	0.90
Efficiency	84%
Protection	Short Circuit/Over Load/High Temp
Working Temperature	-40~140°F / -40~60°C
Rated Locations	Dry / Damp / Wet
Dimming	ELV/MLV/TRIAC/0~10V
Minimum Dimming Levels†	1% / 1% / 1% / 0.1%
Warranty	5 years

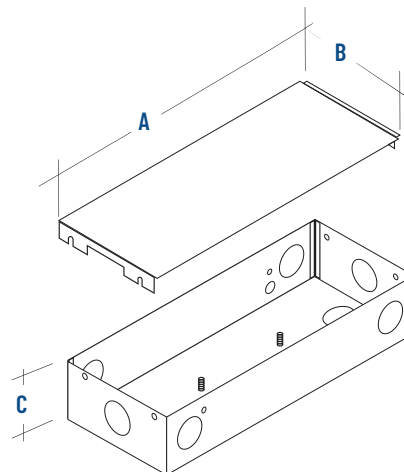
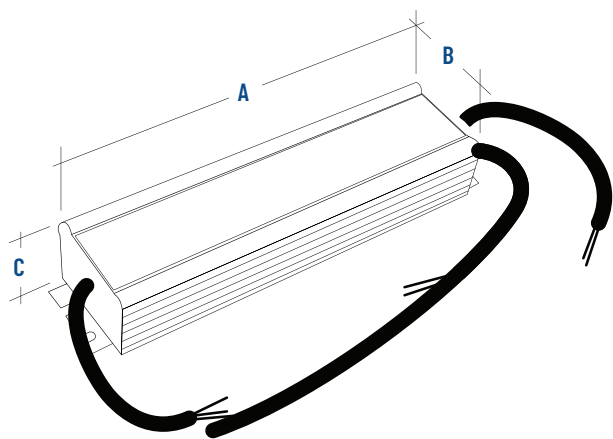
† Dimmer brand and model dependent



DIMENSIONS

	A	B	C
96W	6.8"	2.3"	1.5"

	A	B	C
Enclosure	9.1"	3.4"	1.9"



ORDER CODE

DR	96W	24VDC	DIML	UNV	-
----	-----	-------	------	-----	---

- ENCLOSURE**
 - Blank for none
ENC - Enclosure
 (For UL Listing)

