

DR-12VDC-DIMS-UNV - Universal Dimmable LED Drivers

Date: _____ Job: _____ Type: _____

Notes: _____



The universal series drivers are one size fits all solution for indoor and outdoor lighting applications. Universal input of 100-277V, universal phase dimming (forward and reverse) to 1%, as well as 0.5% dimming in 0-10V. These drivers truly are universal.

Suitable for
Dry/Damp/
Wet
Locations

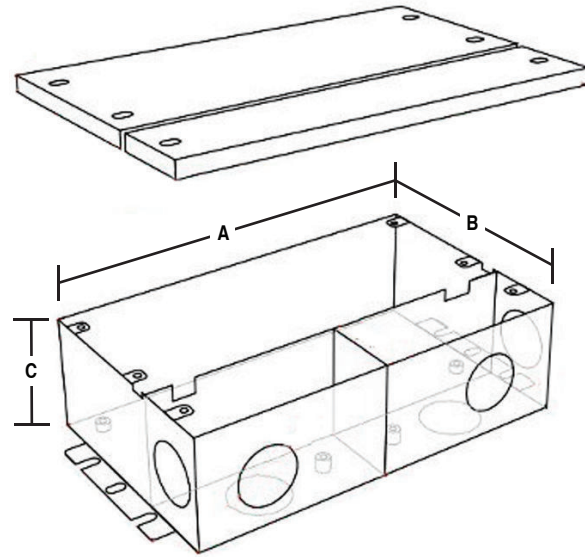


Technical Specifications:

Input Voltage	100-277VAC
Output Voltage	12VDC
Rated Power	30W / 60W / 96W / 150W / 300W
Power Factor (at full load)	0.99@120VAC / 0.97@277VAC
Efficiency	86%@120VAC / 88%@277VAC
Protection	Short Circuit / Over Load / High Temperature
Working Temperature	-40~140°F / -40~60°C
Rated Locations	Dry / Damp / Wet
Dimming	ELV / MLV / TRIAC / 0~10V
Minimum Dimming Levels (dimmer brand and model dependent)	1% / 1% / 1% / 0.5%
Warranty	7 years

Dimensions:

	A	B	C
30W	6.5" x 3.7" x 1.6"		
60W	7.4" x 3.7" x 1.6"		
150W	10.2" x 4.1" x 1.8"		

**Ordering Code:**

DR - [] - 12VDC - DIMS - UNV

WATTAGE

30W - 30 Watts

60W - 60 Watts

150W - 150 Watts