

Date: _____	Job: _____	Type: _____
Notes: _____		Quantity: _____



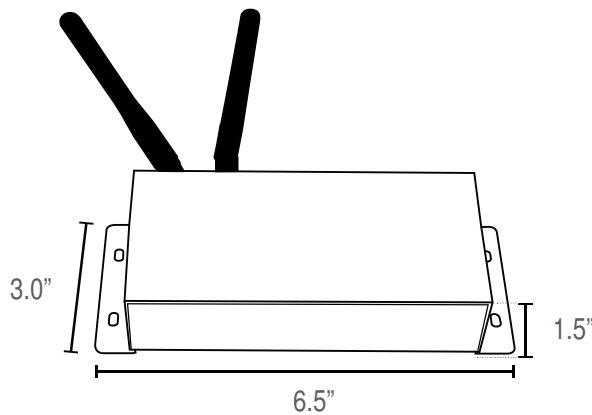
The DR-DMX-RGBW-WIFI-CON is a stand-alone color changing control system that utilizes both radio frequency and WiFi to control RGB and RGBW LED products. Feed out to multiple loads all linked together by XLR DMX or RJ45 Cables. An optional radio frequency remote can be used for control or an application for your Android or Apple smart phone can also be downloaded for control over your wifi network. Setup custom scenes and zones on your remote or through the application. The remote and app can also work in conjunction with each other.



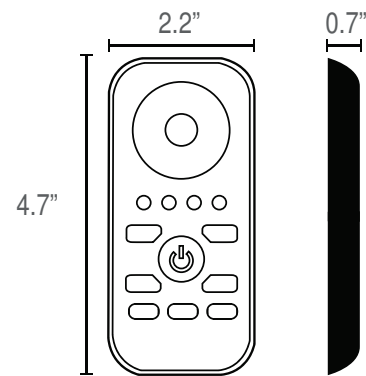
**Technical Specifications:**

Input	12VDC (included)
Output	DMX512 signal via XLR DMX or RJ45 cables
IP Rating	IP20
Interface	Glass touch sensitive
Control Zones	8 zones (app), 4 zones (remote)
Custom Scenes	Yes
Previous State Memory (when powered off)	Yes
Individual Channel Control (R, G, B, W)	Yes
Dimmable	Yes
Remote	Radio frequency (up to 100ft)
Mobile App Control	WiFi
Mobile App	EasyLighting EasyLife
Warranty	3 years

**Dimensions:**



**DR-DMX-RGBW-WIFI-CON**



**DR-RGBW-WIFI-REM**

**Ordering Code:**

