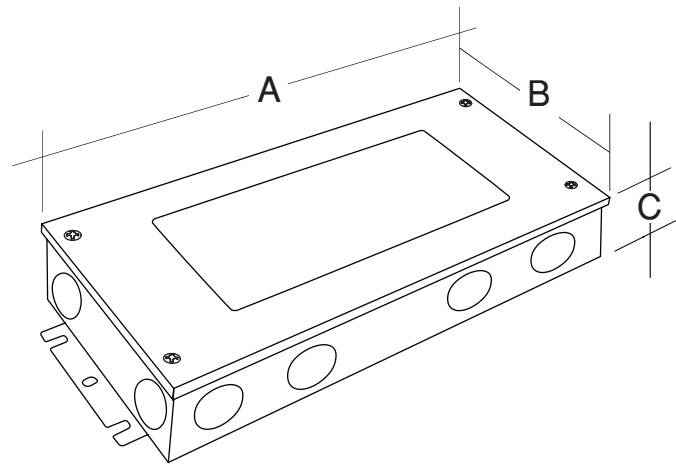


DR-24VDC-DIMS - 24VDC Universal Phase Dimmable Indoor LED Drivers

Date: \_\_\_\_\_ Job: \_\_\_\_\_ Type: \_\_\_\_\_  
 Notes: \_\_\_\_\_



These indoor drivers are rated for dry and damp locations. Universal phase dimming capability allows for the use of both forward and reverse phase dimmers. TRIAC, MLV, and ELV dimmers will all work. Rated for 100-277VAC input and outputs of 150W and 300W, these drivers are great for larger indoor applications. A 7 year warranty is provided.



	A	B	C
150W	9.3" x 4.1" x 1.8"		
300W	10.3" x 4.1" x 1.8"		

**Ordering Code:**



**WATTAGE**  
 150W - 150 Watts  
 300W - 300 Watts