

PROJECT	TYPE	NOTES

**OVERVIEW**

The universal series drivers are one size fits all solution for indoor and outdoor lighting applications. Universal input of 100-277V, universal phase dimming (forward and reverse) to 1%, as well as 0.5% dimming in 0-10V.

These drivers truly are universal. The 96W is available with the Lutron Athen Wireless Node.



**TECHNICAL SPECIFICATIONS**

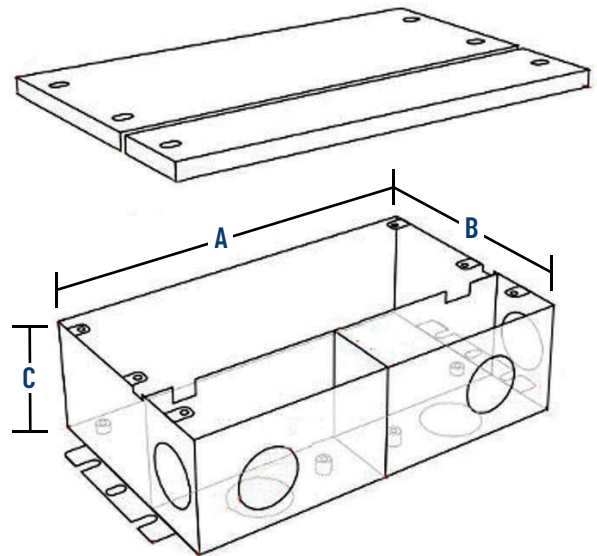
Input Voltage	100-277VAC
Output Voltage	24VDC
Rated Power	30W/60W/96W*/150W/300W
Power Factor (at full load)	0.99@120VAC / 0.95@277VAC
Efficiency	88%@120VAC / 92%@277VAC
Protection	Short Circuit/Over Load/High Temp
Working Temperature	-40~140°F / -40~60°C
Rated Locations	Dry / Damp / Wet
Dimming	ELV/MLV/TRIAC/0~10V
Minimum Dimming Levels†	1% / 1% / 1% / 0.5%
Warranty	7 years

\* Lutron Athena Wireless node available. † Brand and model dependent



DIMENSIONS

	A	B	C
30W	6.5"	x 3.7"	x 1.6"
60W	7.4"	x 3.7"	x 1.6"
96W	8.7"	x 3.7"	x 1.6"
150W	10.2"	x 4.1"	x 1.8"
300W	10.9"	x 4.3"	x 1.8"



ORDER CODE

DR	-	24VDC	DIMS	UNV	-
----	---	-------	------	-----	---

**WATTAGE**

- 30W** - 30 Watts
- 60W** - 60 Watts
- 96W** - 96 Watts\*
- 150W** - 150 Watts
- 300W** - 300 Watts



\* Lutron Athena Wireless node available only for 96W

