

DR-12VDC - 12V Non-Dimming Indoor LED Drivers

Product Features:

- 100-120VAC input, 12VDC output
- 15W & 30W max. load
- cULus Listed, indoor rated
- Non-dimmable
- Plug may be used or discarded for hard wiring.



Product Specifications:

Housing

- Solid polycarbonate construction.
- Approved for use in dry locations.
- Comes with removable plug for hard wiring.

Warranty

- Three year warranty against manufacturer defects in material or workmanship. Please refer to our Terms of Sale for full warranty terms and conditions.

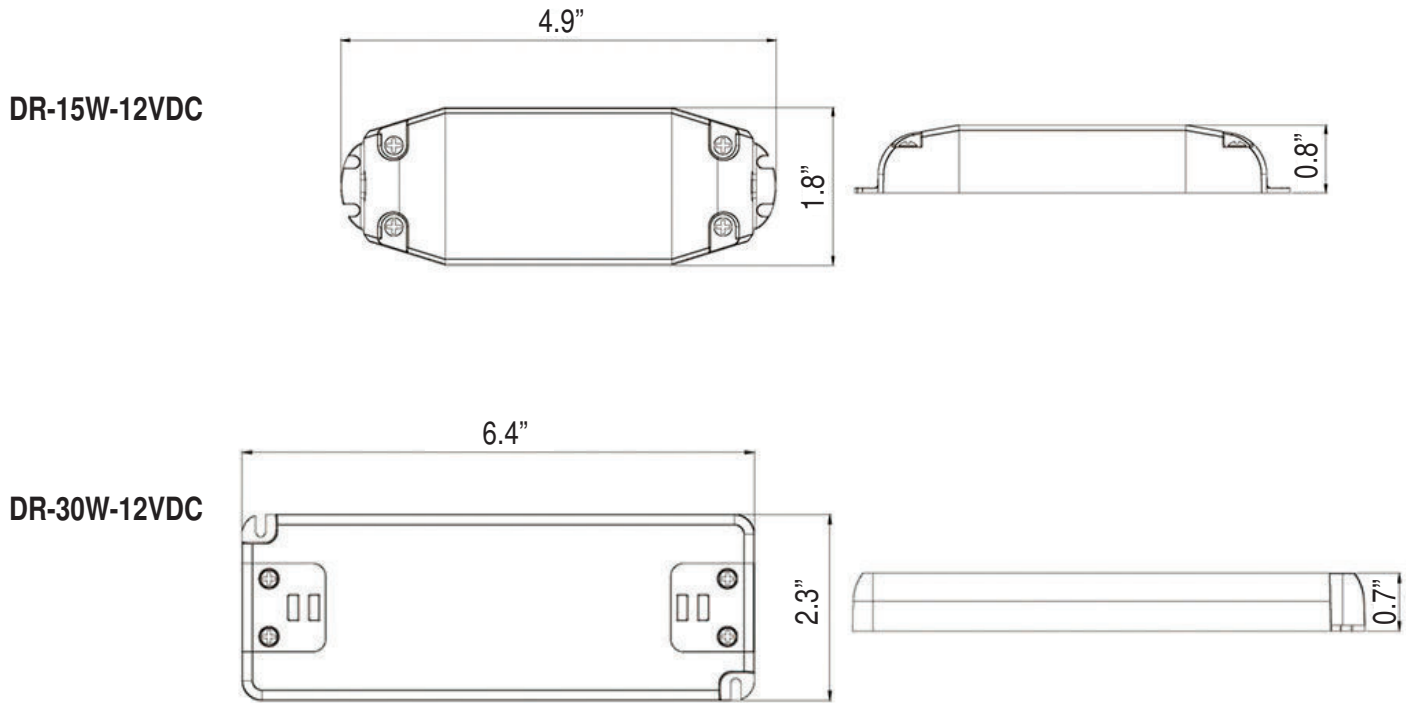
Technical

- 100-120VAC input, 12VDC output, 15W / 30W max. load.
- Non-dimmable.
- Open circuit, short circuit, over load, over heat protection.

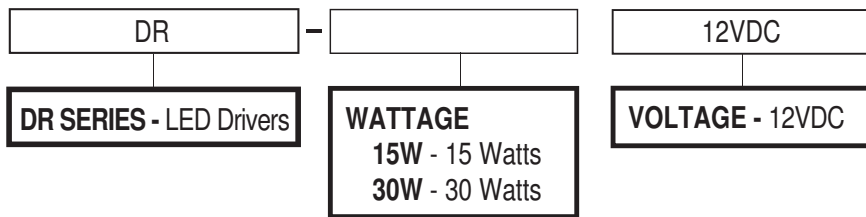


DR-XXW-12VDC - 12VDC Non-Dim Indoor LED Drivers

Product Dimensions:



Ordering Code:



Eg. DR - 30W - 12VDC