

Date: _____	Job: _____	Type: _____
Notes: _____		Quantity: _____



IP20  
IP65

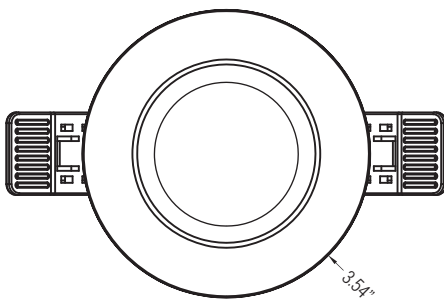
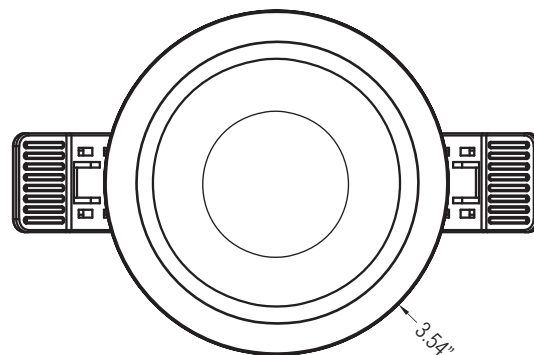
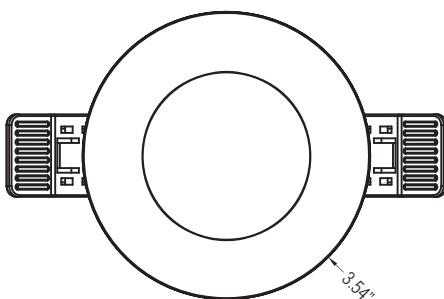
**TITLE  
24  
JA8**  
COMPLIANT



The UDL is a universal downlight that is ideal for multi family, hotel and other projects. It comes with options of 80+ or 90+ CRI, Dry & Damp or Wet location rated trims, standard or deep recessed architectural trims, lumen packages ranging from 450 - 1000lm. The UDL is truly a universal downlight.

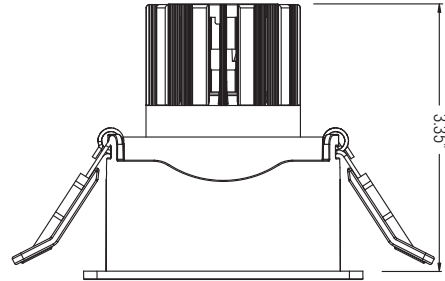
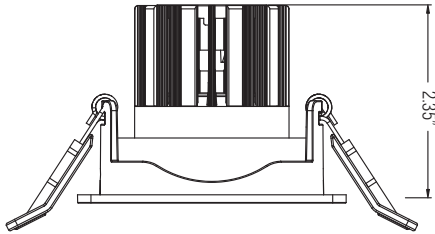
**Technical Specifications:**

Input Voltage	110-130VAC / 100-277VAC (0-10V dimming)
Power Consumption	6W / 8W / 12W
Lumens - 80 CRI (3000K)	480lm / 750lm / 1000lm
Efficacy (3000K)	80lm/W / 88lm/W / 83lm/W
Power Factor	0.95
LED Chip	Single COB
Color Temperatures	2700K, 3000K, 4000K, CD (DtW) 3000K-1800K
CRI - 80CRI / 90CRI	82 / 92
R9 Value - 90 CRI	80
LED Life	60,000 hrs
MacAdam Ellipse Binning	3-step
Beam Angles	24°, 38°, 60°
Tilt (Adjustable fixtures)	35°
Dimming Type	Forward Phase / 0-10V
Dimming Performance	6%
Environment	Dry and Damp Location Rated (Wet available)
Ceiling Rating	IC
Warranty	5 years

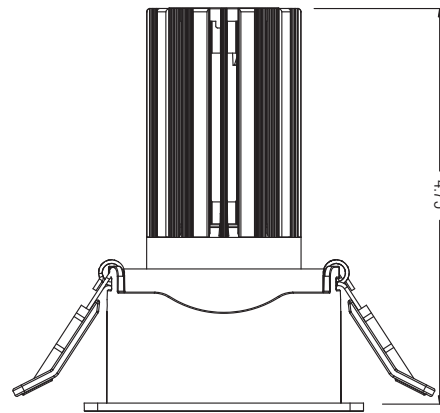
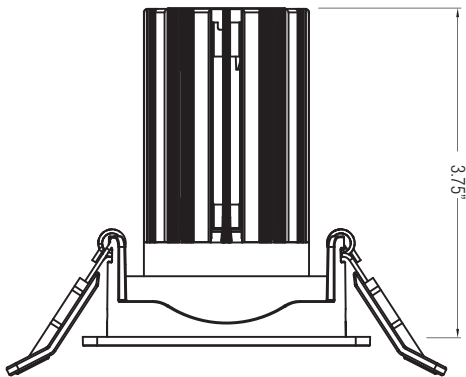
**Dimensions:****Round Directional****Round Deep****Round Wet**

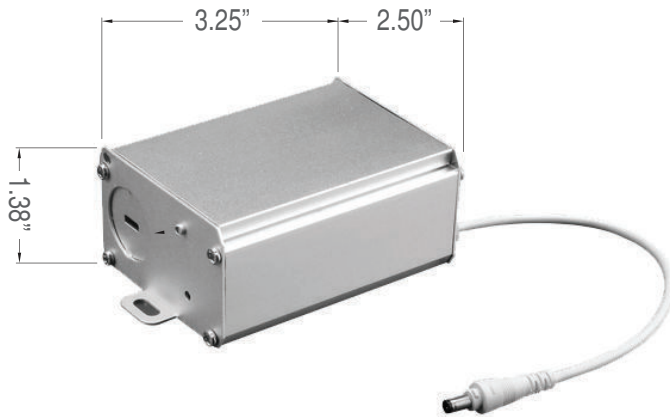
Dimensions:

6W/8W

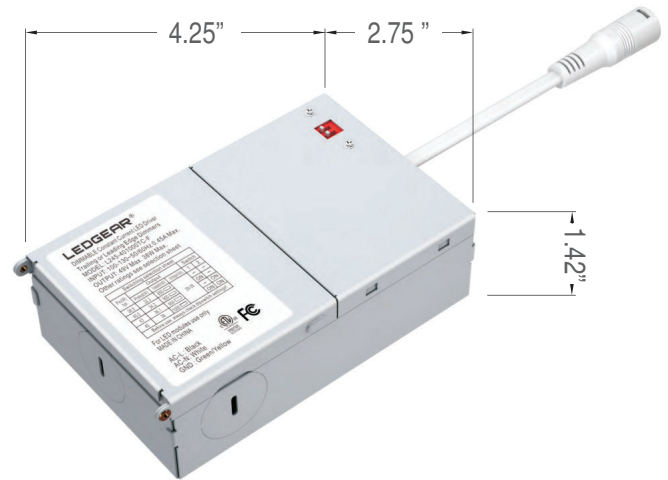


12W





120V Phase Dimming



100-277V 0-10V Dimming

**Ordering Code:**

UDL - [ ] - [ ] - [ ] - [ ] - [ ] - [ ] - WH

WATTAGE	DIMMING	CRI	CCT	BEAM	TRIM	FINISH
6 - 6W	T - TRIAC (110-130V)	8 - 82	27 - 2700K	24 - 24°	R - Round Directional	
8 - 8W	010 - 0-10V (100-277V)	9 - 90	30 - 3000K	38 - 38°	RW - Round Wet	
12 - 12W			40 - 4000K	60 - 60°	RD - Round Deep*	
			50 - 5000K		RPH - Round Pin-hole*	
			CD - DtW		RSL - Round Slot*	
					RWW - Round Wall wash*	

**Accessories:**

New Construction Mounting Plate

NCMP - 3000