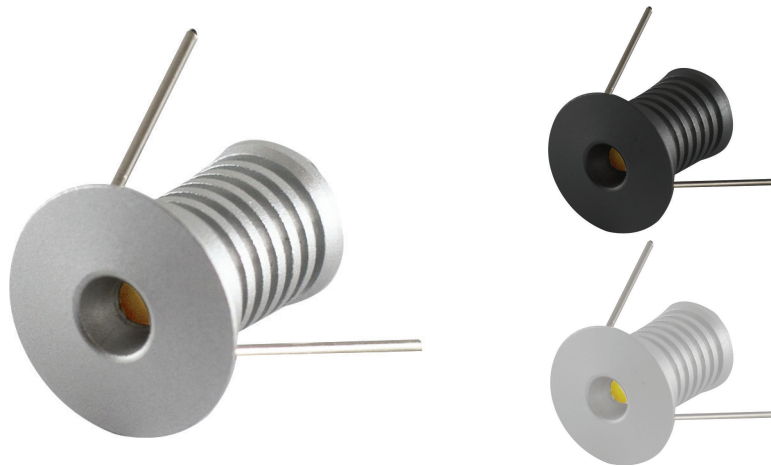


MSW5-121- Micro LED Step/Wall Light

Product Features:

- 12VDC, 0.5W, 68 lumens
- Step or wall recessed mount
- Pin light, recessed light source
- Small diameter trim - 0.70"
- Dimmable



Product Specifications:

Housing

- Powder coated aluminum construction.
- 0.75" housing depth.
- Approved for use in wet locations, IP65.

Trims

- Powder Coated. Brushed finish is sealed.
- Finishes available: Black (BL), Matte Silver (MS), White (WH).

Mounting

- Step or wall recessed mount.
- Installs into 5/8" diameter hole.

Electrical

- Input - 12VDC
- Power consumption - 0.5W
- Dimmable

LEDs

- Color temperature - 3000K
- Lumens - 68m
- Beam spread - 45°

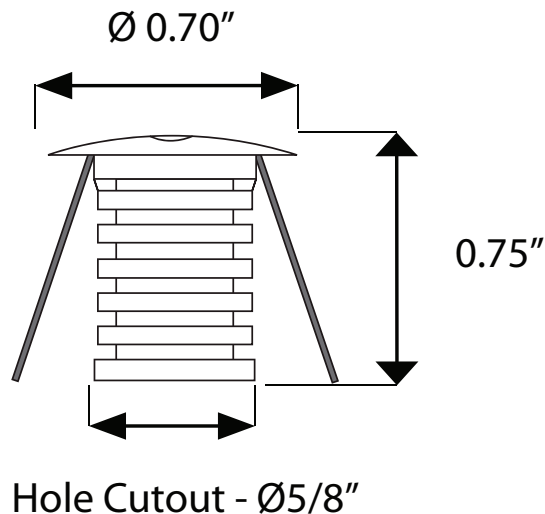
Warranty

- Three year warranty against manufacturer defects in material or workmanship. Please refer to our Terms of Sale for full warranty terms and conditions.

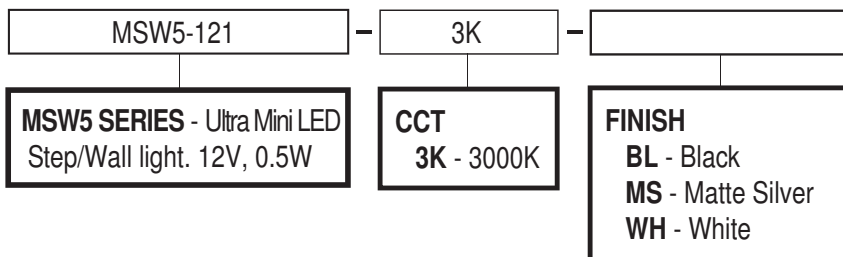


MSW5-121 - Micro LED Step/Wall Light

Product Dimensions:



Ordering Code:



Eg. MSW5-121-3K-MS

Driver Options*:

DR-24W12VDC-DIMA - Dimmable Driver. 1-30 pcs.

*Other drivers are available including non-dimmable drivers. Please visit <http://www.twicebright.com> to see other options.