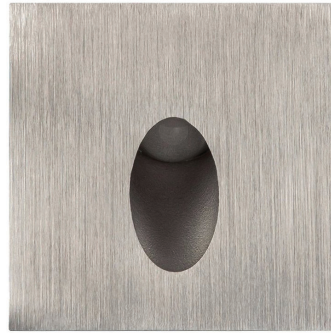


MSW4-121 - Mini Flush LED Step/Wall Light

Product Features:

- 12VDC, 1W, 118 lumens
- Step or wall recessed mount
- Flush trim, recessed light source
- Small diameter trim - 2"
- Dimmable



Product Specifications:

Housing

- Powder coated aluminum construction.
- 1" housing depth.
- Approved for use in wet locations, IP66.

Trims

- Powder Coated. Brushed finish is sealed.
- Finishes available: Black (BL), Brushed Steel (BS), White (WH).

Mounting

- Step or wall recessed mount.
- Installs into 1½" diameter hole.

Electrical

- Input - 12VDC
- Power consumption - 1W
- Dimmable

LEDs

- Color temperature - 3000K
- Lumens - 118m (3000k)
- Beam spread - 45°

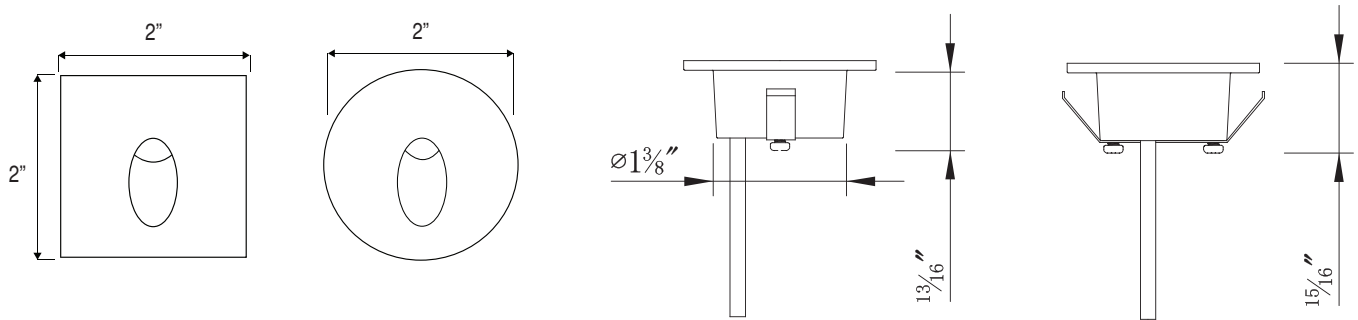
Warranty

- Three year warranty against manufacturer defects in material or workmanship. Please refer to our Terms of Sale for full warranty terms and conditions.

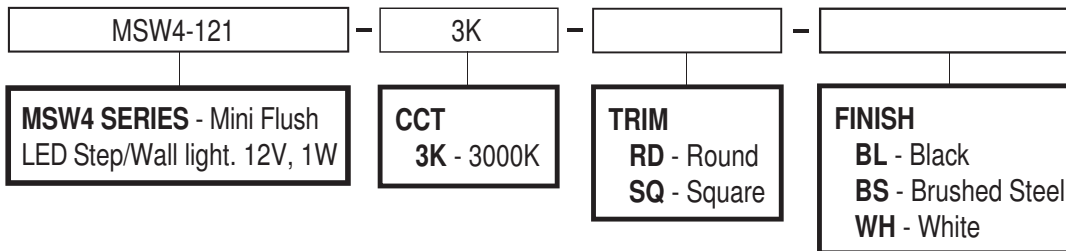


MSW4-121 - Mini Flush LED Step/Wall Light

Product Dimensions:



Ordering Code:



Eg. MSW4-121-3K-RD-WH

Driver Options*:

DR-24W12VDC-DIMA - Dimmable Driver. 1-20 pcs.

*Other drivers are available including non-dimmable drivers. Please visit <http://www.twicebright.com> to see other options.