

MSW3-122 - Mini LED Step/Wall Light

Product Features:

- 2W, 160 lumens
- Comes with multiple lenses - 15°, 30°, 60°
- Step or wall recessed mount
- Stainless Steel trims rated for walk-on/drive-on
- Small diameter trim - 1.54"
- Dimmable



Product Specifications:

Housing

- Powder coated aluminum construction.
- 1" housing depth.
- Approved for use in wet locations, IP67.

Trims

- Powder Coated. Brushed finish is sealed.
- Finishes available: Black (BL), Brushed Steel (BS), White (WH).

Mounting

- Step or wall recessed mount.
- Installs into 1 3/8" diameter hole.
- Stainless Steel trims rated for walk-on/drive-on applications.

Electrical

- Input - 12VDC
- Power consumption - 2W
- Dimmable.

LEDs

- Single COB LED
- Color temperatures - 3000K
- Lumens - 160m (3000k)
- Beam spreads - 15°, 30°, 60°

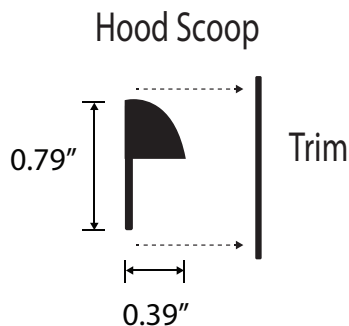
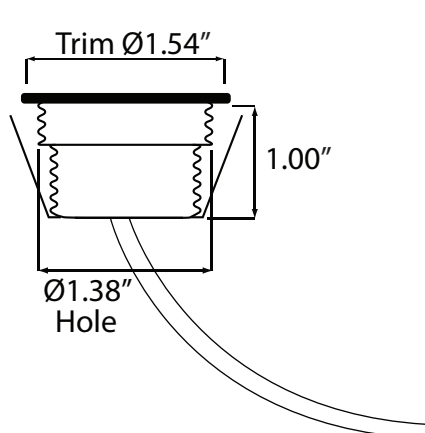
Warranty

- Three year warranty against manufacturer defects in material or workmanship. Please refer to our Terms of Sale for full warranty terms and conditions.



MSW3-122 - Mini LED Step/Wall Light

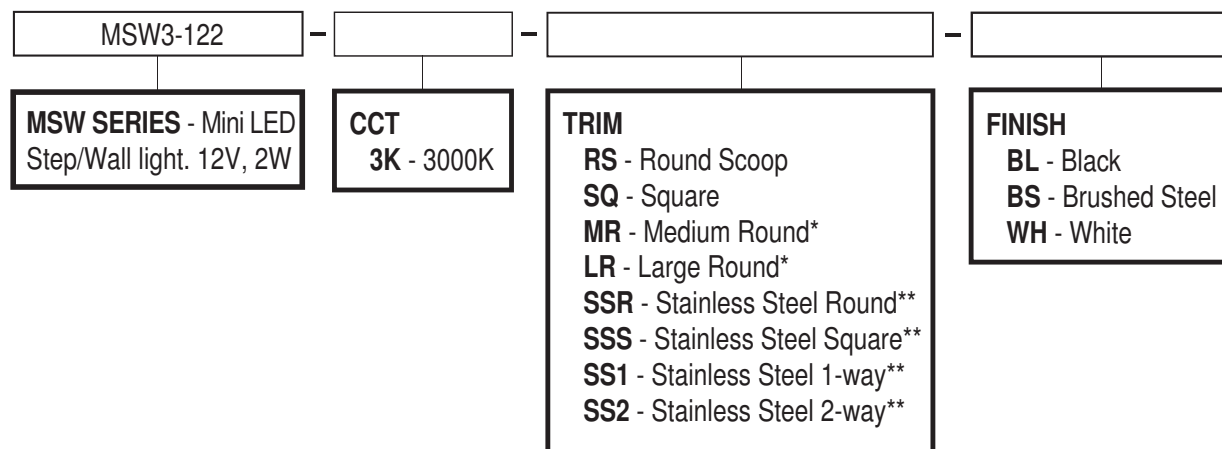
Product Dimensions:



Trim Diameters

- RS** - Ø1.54"
- SQ** - 1.54" x 1.54"
- LR** - Ø2.75"
- SSS** - 1.60" x 1.54"
- SS1** - Ø1.90"
- SS2** - Ø1.90"

Ordering Code:



Eg. MSW3-122-3K-RS-WH

*Only stocked in BS finish **Only in Stainless Steel finish

Driver Options*:

DR-24W12VDC-DIMA - Dimmable Driver. 1-10 pcs.

*Other drivers are available including non-dimmable drivers. Please visit <http://www.twicebright.com> to see other options.