

Date: _____	Job: _____	Type: _____
Notes: _____		Quantity: _____



The WW123 walkway light is part of the WW Series family. These in-grade fixtures can be installed in wood, tile, stone, concrete, soil or gravel. They are great for illuminating walkways, pathways and uplighting landscaping, walls and columns. Available in single color and color changing RGBW options.

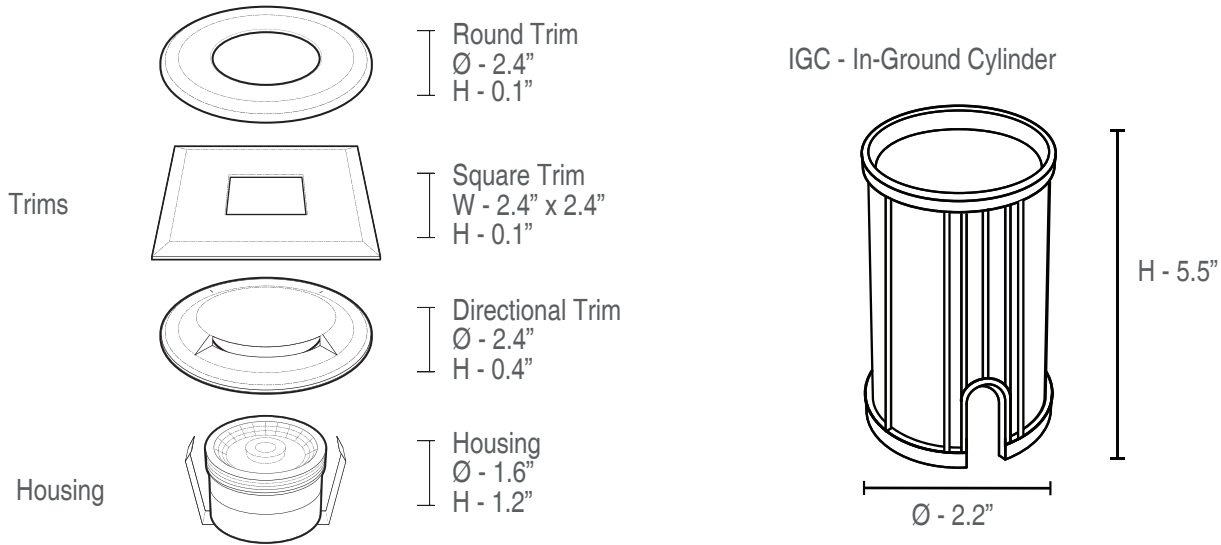
IP67



Technical Specifications:

Operating Voltage	12VDC
Power Consumption	3W
Lumens Delivered (Open trim - 3000K)	224lm
Efficacy (3000K)	75lm/W
IES File (3000K)	↓
LED Chips	COB
Color Temperatures	3000K, 5000K, RGBW
CRI	82
MacAdam Ellipse Binning	3-step
Beam (Single Color / RGBW)	30° / 120°
Dimmable	YES
Housing/Trim Material	304 Stainless Steel
Location Rating	Dry / Damp /Wet IP67
Weight Rating	1100lbs. (Walk-over / Drive-over Rated)
Hole Cutout	Ø1.75"
Warranty	5 years

Dimensions:



Trims:



Ordering Code:

WW123 - -

CCT
3K - 3000K
5K - 5000K
RGBW - RGBW

TRIM
SSR - Stainless Steel Round
SSS - Stainless Steel Square
SS1 - Stainless Steel 1-Way
SS2 - Stainless Steel 2-Way
SS3 - Stainless Steel 3-Way
BLR - Black Round
BLS - Black Square
BL1 - Black 1-Way
BL2 - Black 2-Way
BL3 - Black 3-Way

OPTIONAL

WW123-IGC

Installation:

Wood/Stone: Drill/core Ø1-3/4" Hole. Install directly into material.

Concrete: Mount into 1-1/2" PVC coupler or into 1-1/2" Class 200 PVC.

Soil/Gravel: Mount into IGC - In-ground cylinder, into 1-1/2" PVC coupler or into 1-1/2" Class 200 PVC.



Driver Cutsheets:

DESCRIPTION	INPUT	OUTPUT	WATTAGES	SPECIFICATION SHEETS
Non-Dimming Indoor	120VAC	12VDC	15W, 30W	DR-12VDC
Non-Dimming Indoor/Outdoor	120VAC	12VDC	30W-264W	DR-12VDC-OUT
Universal Phase Dimming Indoor	120VAC	12VDC	24W 48W 60W	DR-12VDC-DIMA
Univ. Phase/0-10V Dimming Ind./Out.	100-277VAC	12VDC	30W-300W	DR-12VDC-DIMS-UNV
RGB Controller Indoor	12-36VDC	12-36VDC	384W max.	DR-RGBW-WIFI-CON
RGB Controller Outdoor	12-36VDC	12-36VDC	240W max.	DR-RGBW-WIF-CON-OUT
5 Channel DMX Digital Decoder	12-24VDC	12-24VDC	480W max.	DR-DMX-5CH-DEC
RGBW DMX Controller	12-36VDC	12-36VDC	N/A	DR-DMX-RGBW-CON

Voltage Drop Calculator:

Wire Gauge Calculator - Load vs AWG vs Max. Distance Away From Driver

LOAD	10W	20W	30W	40W	50W	60W
WIRE GAUGE						
20AWG	18 ft	9 ft	6 ft	5 ft	4 ft	3 ft
18AWG	34 ft	17 ft	11 ft	8 ft	6 ft	5 ft
16AWG	54 ft	27 ft	18 ft	13 ft	10 ft	9 ft
14AWG	86 ft	43 ft	29 ft	21 ft	17 ft	14 ft
12AWG	134 ft	68 ft	45 ft	34 ft	27 ft	22 ft
10AWG	199 ft	99 ft	66 ft	49 ft	39 ft	33 ft