

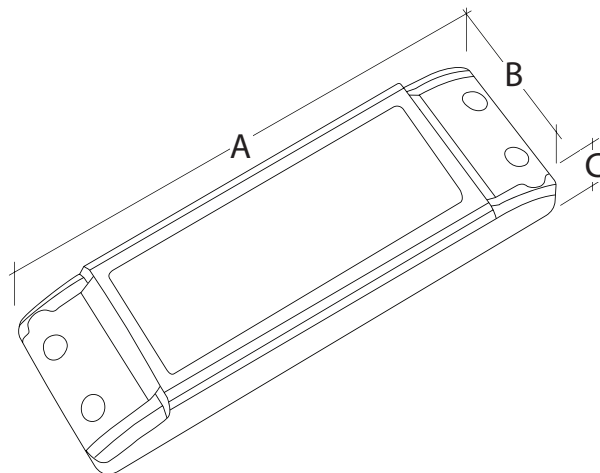
DR-24VDC-DIMA - 24VDC Universal Phase Dimmable Indoor LED Drivers

Date: \_\_\_\_\_ Job: \_\_\_\_\_ Type: \_\_\_\_\_

Notes: \_\_\_\_\_



These drivers are rated for dry and damp locations. Universal phase dimming capability allows for the use of both forward and reverse phase dimmers. TRIAC, MLV, and ELV dimmers will all work. Rated for 100-130V input and outputs of 24W, 48W, and 60W, these drivers are great for low wattage applications in dry and damp locations. The DIMA series drivers come with a 3 year warranty.



	A	B	C
24W	6.1" x 2.1" x 0.8"		
48W	7.1" x 2.4" x 1.0"		
60W	7.1" x 2.4" x 1.4"		

Ordering Code:



- WATTAGE**  
 24W - 24 Watts  
 48W - 48 Watts  
 60W - 60 Watts