

# DL128-3K-TI - 3" Directional, Round, LED Downlight

## Product Features:

- Integral LED light engine
- 120V input
- Shallow 1 1/2" depth housing
- 8W 775lm
- Eyeball - 45° tilt
- Energy Star Rated



## Product Specifications:

### Housing

- Solid aluminum construction.
- Insulation Contact (IC) rated.
- Approved for use in dry and damp locations.
- Approved for feed-through wiring.
- 1 1/2" housing depth.

### Trim

- Round. Directional 45° tilt. Eyeball.
- Finishes available: White (WH)
- Diameter: 3.35"

### Mounting

- Installs into 1/4" - 1" ceiling thickness.
- Installs into 2 3/4" diameter hole.
- New Construction Mounting Plate (NCMP 2750) available. Comes with hanger bars.
- **WARNING:** Cannot be directly covered in polycell spray-in insulation.

### Driver

- Input 110-130VAC 60Hz. Output 12VDC 8W.
- Instant on.

### LED Light Engine

- CCT: 3000K
- CRI: 80+
- Beam spread: 38°
- Delivered Lumens: 775

### Dimming

- Dimmable with a regular forward-phase dimmer

### Warranty

- Three year warranty. Please refer to our Terms of Sale for full warranty terms and conditions



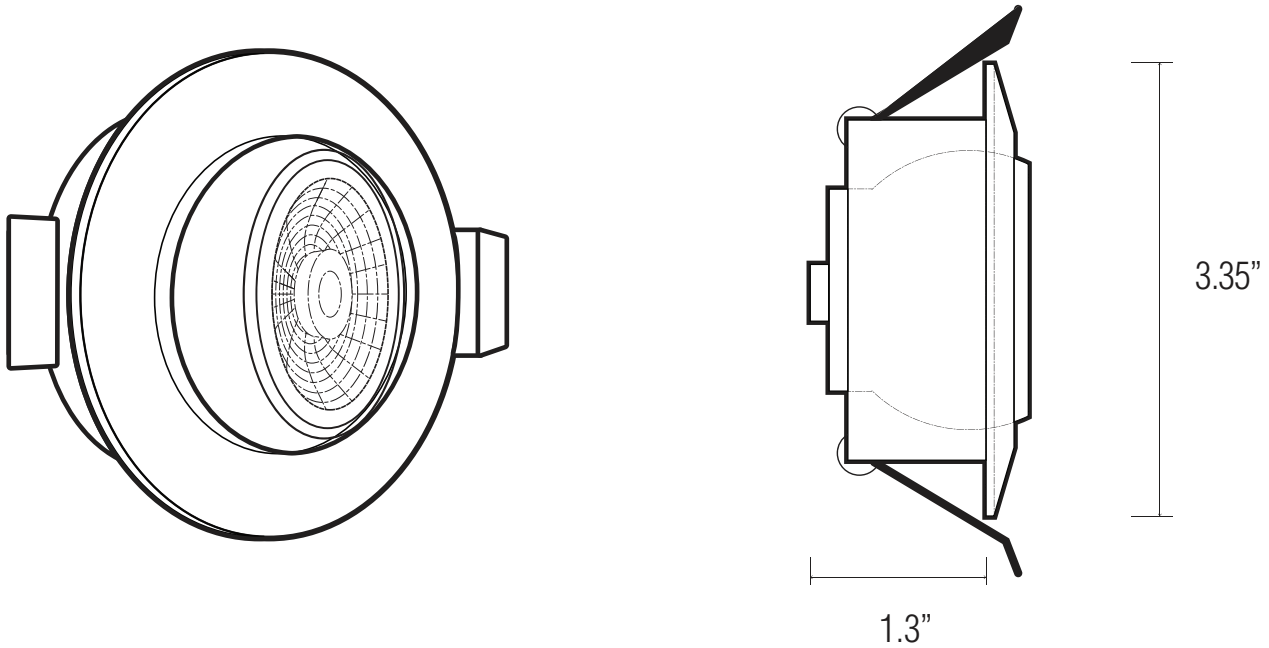
Intertek



ENERGY STAR

DL128-3K-TI - 3" Directional, Round, LED Downlight

**Product Dimensions:**



**Ordering Code:**

DL	-	12	-	8	-	3K	-	TI	-	WH
<b>DL SERIES</b> Downlights		<b>VOLTAGE</b> 12 - 12V		<b>WATTAGE</b> 8 - 8 Watts		<b>CCT</b> 3K - 3000K		<b>TILTING</b> TI - Tilting		<b>FINISH</b> WH - White