

# SL12025TL - 2" Non-directional, Twist Lock, Round

## Product Features:

- 120V 25W max.
- Shallow 3 ½" depth housing
- IC Air Tight housing
- Convertible to Wet Location with WLT

WORKS WITH  
**SORAA**<sup>®</sup>



## Product Specifications:

### Housing

- Powder coated steel construction.
- Insulation Contact (IC) rated.
- Air Tight as per ASTM E283 Standard.
- Approved for use in dry and damp locations.
- Approved for feed-through wiring.
- 3 ½" housing depth.

### Trim

- Round. Non-directional.
- Powder Coated. Brushed finishes are sealed.
- Finishes available: Black (BL), Brushed Steel (BS), Bronze (BZ), Chrome (CH), White (WH).
- Lamp secured with Twist Lock piece.

### Warranty

- Two year warranty against manufacturer defects in material or workmanship. Please refer to our Terms of Sale for full warranty terms and conditions.

### Mounting

- Installs into ⅜" - 1 ¼" ceiling thickness.
- Installs into 2 ¾" diameter hole.
- New Construction Mounting Plate (NCMP 2750) available. Comes with hanger bars.
- **WARNING:** Cannot be directly covered in polycell spray-in foam insulation.

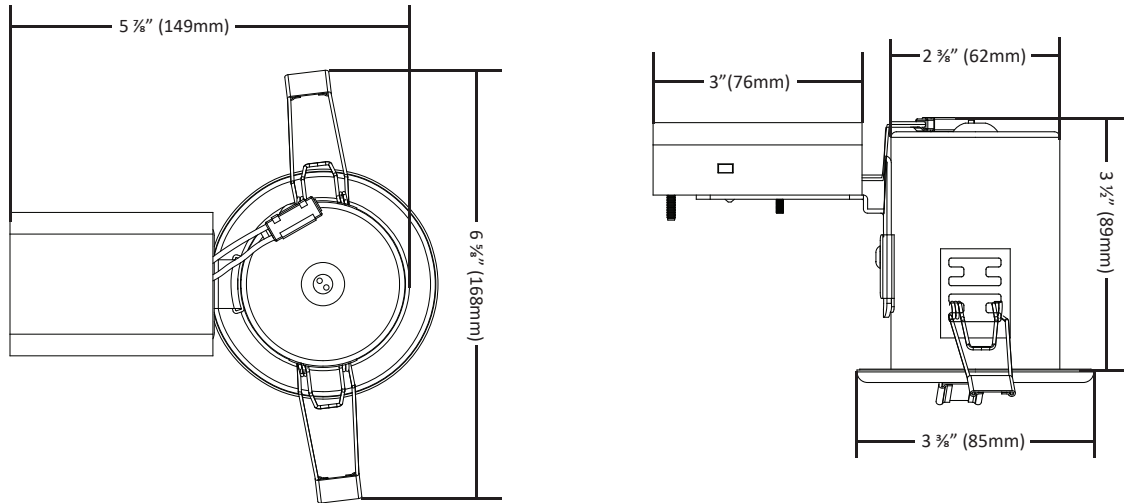
### Lamp

- 120V 25W max. GU10 based lamp.
- Recommended lamp: 120V 9W max. Soraa LED lamp.
- Halogen alternative: 120V 25W max. aluminum backed lamp.



SL12025TL - 2" Non-directional, Twist Lock, Round

**Product Dimensions:**

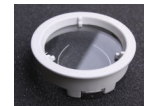
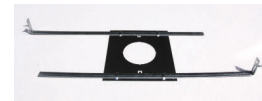


**Accessories:**

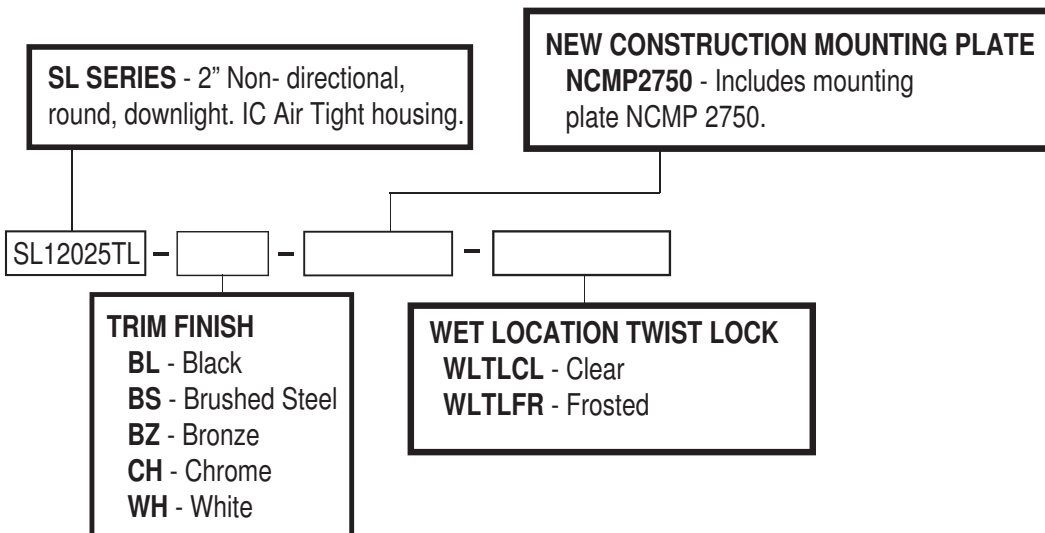
**NCMP 2750** - New Construction Mounting Plate  
Steel construction. 2 3/4" ø hole. Comes with hanger bars.

**WLTL-XX-CL / WLTL-XX-FR** - Wet Location Twist Lock  
Clear or Frosted. Converts fixture from Damp Location to Wet Location for use in showers.

**LENSES/FILTERS** - Single 1/8" lenses or filters may be used with this fixture.



**Ordering Code:**



Eg. SL12025TL - WH - NCMP2750 - WLTLFR

**SL12025TL - 2" Non-directional, Twist Lock, Round****Reccomended Soraa LEDs:****Soraa Vivid 95 CRI\*:**

Model	CCT (K)	Beam (°)	Power (W)	Lumens (lm)	CBCP
SM16GA-09-25D-927-03	2700K	25°	9W	465	2570
SM16GA-09-36D-927-03	2700K	36°	9W	465	1210
SM16GA-09-60D-927-03	2700K	60°	9W	465	470
SM16GA-09-25D-930-03	3000K	25°	9W	490	2700
SM16GA-09-36D-930-03	3000K	36°	9W	490	1280
SM16GA-09-60D-930-03	3000K	60°	9W	490	500

**Soraa Brilliant 85 CRI\*:**

Model	CCT (K)	Beam (°)	Power (W)	Lumens (lm)	CBCP
SM16GA-09-25D-827-03	2700K	25°	9W	560	3090
SM16GA-09-36D-827-03	2700K	36°	9W	560	1460
SM16GA-09-60D-827-03	2700K	60°	9W	560	570
SM16GA-09-25D-830-03	3000K	25°	9W	590	3260
SM16GA-09-36D-830-03	3000K	36°	9W	590	1540
SM16GA-09-60D-830-03	3000K	60°	9W	590	600

\*This fixture is also compatible with Soraa's 7.5W GU10 line of lamps. The 7.5W lamps are available in 10° beam spread. See Soraa's full GU10 lamp offering at <https://www.soraa.com/19-MR16-GU10#>

**Compatible Dimmers\*:**

Full lists of dimmer compatibility data are available at <https://www.soraa.com/resources/compatibility>



WORKS WITH  
**SORAA**<sup>®</sup>