

DR-XXXW-12VDC-DIMM-II - 12VDC Dimmable Drivers

Product Features:

- 120VAC input, 12VDC output
- 120W, 180W & 300W max. load
- cETLus Listed, Nemra 3R Outdoor use
- Leading edge dimming, works with magnetic & TRIAC dimmers
- Multi-output Class 2



Product Specifications:

Housing

- Powder coated steel construction.
- Approved for use indoor & outdoor locations, Nemra 3R enclosure.
- Dimensions (L x W x H):
120W - 11.30" x 4.73" x 4.26"
180W - 11.30" x 4.73" x 4.26"
300W - 11.30" x 4.73" x 4.26"

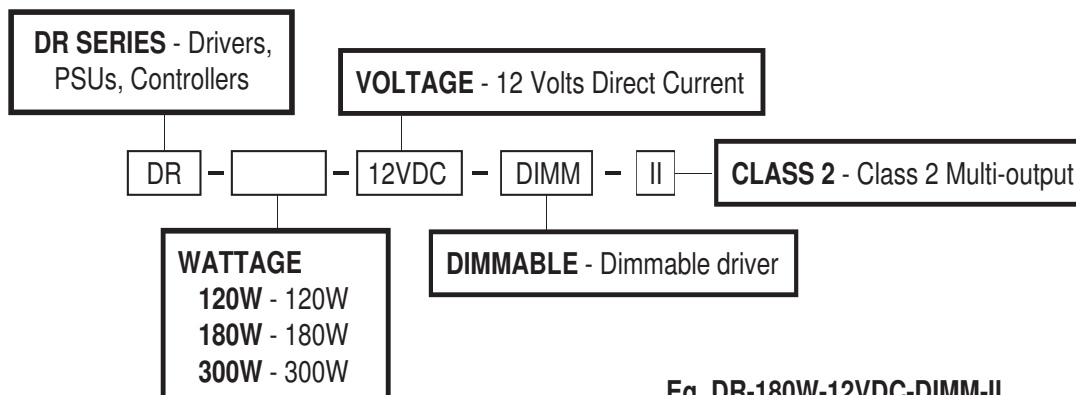
Warranty

- Five year warranty against manufacturer defects in material or workmanship. Please refer to our Terms of Sale for full warranty terms and conditions.

Technical

- 120VAC input, 12VDC output, 120W (60W x 2), 180W (60W x 3), 300W (60W x 5) max. load.
- Minimum load: None
- Multi-output Class 2
- Push-to-reset circuit breakers

Ordering Code:



Eg. DR-180W-12VDC-DIMM-II

