

PROJECT	TYPE	NOTES
<p>OVERVIEW</p> <p>Universal phase dimming drivers allowing for the use of forward and reverse phase dimmers. TRIAC/MLV/ELV dimmers are all compatible. Their small size and integral wiring compartments, allow them to be easily concealed on projects.</p>		



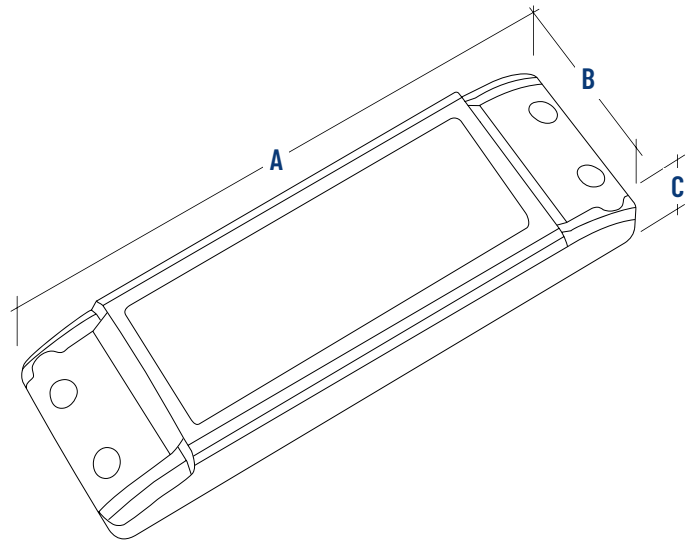
TECHNICAL SPECIFICATIONS

Input Voltage	100-130VAC
Output Voltage	12VDC
Rated Power	24W/48W/60W
Power Factor (at full load)	0.95@110VAC
Efficiency	85%@120VAC
Protection	Short Circuit/Over Voltage
Working Temperature	-40~140°F / -40~60°C
Rated Locations	Dry / Damp
Dimming	ELV/MLV/TRIAC
Minimum Dimming Levels†	1%
Warranty	3 years



DIMENSIONS

	A	B	C
24W	6.1"	x 2.1"	x 0.8"
48W	7.1"	x 2.4"	x 1.0"
60W	7.1"	x 2.4"	x 1.4"



ORDER CODE

DR	-	12VDC	DIMA
----	---	-------	------

WATTAGE

- 24W** - 24 Watts
- 48W** - 48 Watts
- 60W** - 60 Watts

