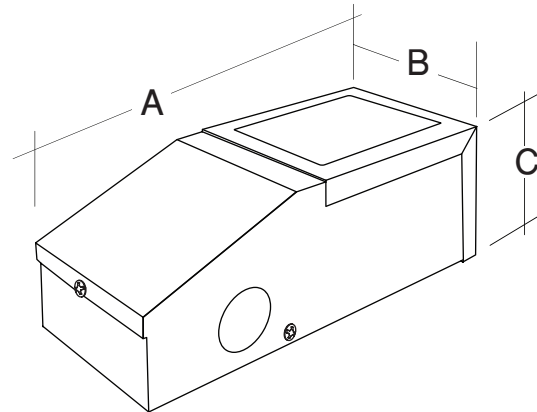


DR-24VDC-DIMM-II - 24VDC MLV Dimmable Indoor/Outdoor LED Drivers

Date: _____ Job: _____ Type: _____
 Notes: _____



The DR-24VDC-DIMM-II drivers are NEMRA 3R rated and can be used indoors or outdoors. Although the input is not universal, the drivers are available with either 120VAC or 277VAC input. Available in either 192 or 288 watts these drivers have multiple Class 2 outputs. A 5 year warranty is provided.



	A	B	C
192W	11.4" x 4.8" x 4.3"		
300W	11.4" x 4.8" x 4.3"		

Ordering Code:

DR	-		-	24VDC	-	DIMM	-	DIMM	-	
		WATTAGE								VOLTAGE
		192W - 192 Watts								-Leave blank for 120VAC
		288W - 288 Watts								277 - 277VAC