

XL3512TITL - 2" Directional, Twist Lock, Round

Product Features:

- Integral LED light engine
- 120V input
- Shallow 3 1/2" depth housing
- IC housing
- Directional - 30° tilt
- Classic Dim module available



Product Specifications:

Housing

- Powder coated steel construction.
- Insulation Contact (IC) rated.
- Approved for use in dry and damp locations.
- Approved for feed-through wiring.
- 3 1/2" housing depth.

Trim

- Round. Directional 30° tilt. Single gimbal.
- Powder Coated. Brushed finishes are sealed.
- Finishes available: Brushed Steel (BS), White (WH).
- Lamp secured with Twist Lock piece.

Mounting

- Installs into 3/8" - 1 1/4" ceiling thickness.
- Installs into 3 1/8" diameter hole.
- New Construction Mounting Plate (NCMP 3125) available. Comes with hanger bars.
- **WARNING:** Cannot be directly covered in polycell spray-in foam insulation.

Driver

- Electronic power supply.
- Input 110 - 130VAC 60Hz. Output 33-35VAC Max. 10W
- Instant on.
- Surge protection, overload & short circuit protection, high temperature protection.
- Requires reverse phase/electronic low voltage dimming.

LED Light Engine

- 35V 250ma input.
- CCT options: 2700K, 3000K, 4000K, 5000K
- High CRI (95+) options available in 2700K and 3000K.
- Beam spread options: 15°, 24°, 38°
- Delivered Lumens: 827 - 880lm, 830 - 915lm, 840 - 950lm, 750 - 1010lm, 927 - 620lm, 930 - 685lm
- Classic Dim module MLXL927-XX-CD (780lm).

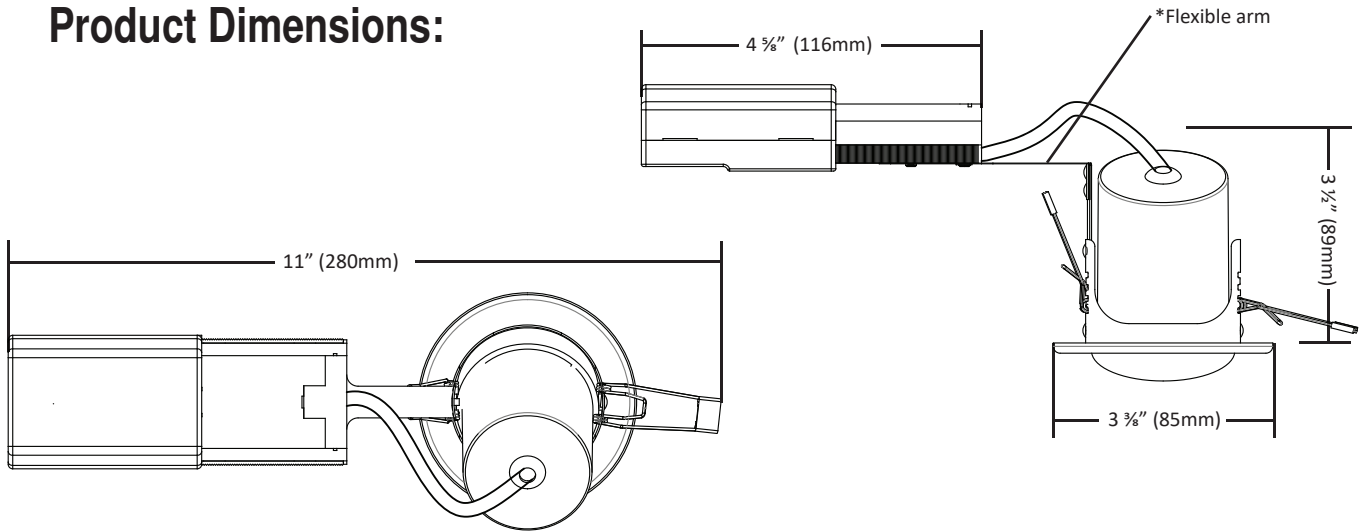
Warranty

- Five year LED module warranty. Please refer to our Terms of Sale for full warranty terms and conditions



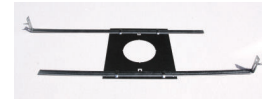
XL3512TITL - 2" Directional, Twist Lock, Round

Product Dimensions:



Accessories:

NCMP 3125 - New Construction Mounting Plate
Steel construction. 3 1/8" ø hole. Comes with hanger bars.



LENSES/FILTERS - Single 1/8" lenses or filters may be used with this fixture.

Ordering Code:

XL SERIES - 2" Directional, round, downlight. IC housing.	NEW CONSTRUCTION MOUNTING PLATE NCMP3125 - Includes mounting plate NCMP 3125.	BEAM SPREAD 15 - 15° 24 - 24° 38 - 38°
XL3512TITL	MLXL	
TRIM FINISH BS - Brushed Steel WH - White	MLXL - Our XL Series module identifier.	CRI / CCT 827 - 80+ / 2700K 830 - 80+ / 3000K 840 - 80+ / 4000K 750 - 75+ / 5000K 927 - 95+ / 2700K 930 - 95+ / 3000K
		Classic Dim* CD - Dims 2850K-2000K

Eg. XL3512TITL - BS - NCMP3125 - MLXL-927-15

*Classic Dim only available in MLXL-927-XX-CD