

# MSW1-121 - Mini LED Step/Wall Light

## Product Features:

- 1W, 95 lumens
- Step or wall recessed mount
- Stainless Steel trims rated for walk-on/drive-on
- Small diameter trim - 1.54"
- Dimmable



## Product Specifications:

### Housing

- Powder coated aluminum construction.
- 1" housing depth.
- Approved for use in wet locations, IP67.

### Trims

- Powder Coated. Brushed finish is sealed.
- Finishes available: Black (BL), Brushed Steel (BS), White (WH).

### Mounting

- Step or wall recessed mount.
- Installs into 1 3/8" diameter hole.
- Stainless Steel trims rated for walk-on/drive-on applications.

### Electrical

- Input - 12VDC
- Power consumption - 1W
- Dimmable.

### LEDs

- Single COB LED
- Color temperatures - 3000K, 6000K
- Lumens - 95m (3000k), 105lm (6000K)
- Beam spread - 45°

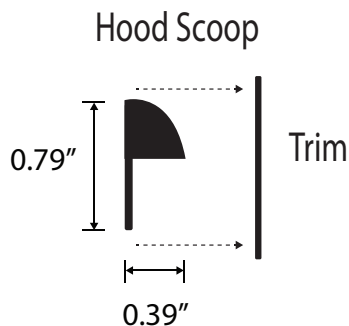
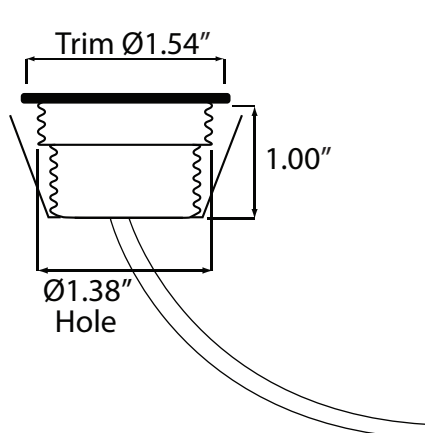
### Warranty

- Three year warranty against manufacturer defects in material or workmanship. Please refer to our Terms of Sale for full warranty terms and conditions.



# MSW1-121 - Mini LED Step/Wall Light

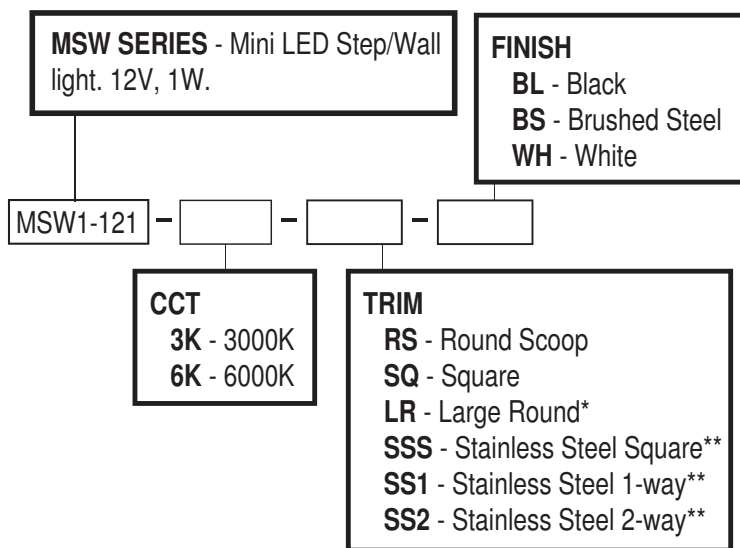
## Product Dimensions:



### Trim Diameters

- RS** - Ø1.54"
- SQ** - 1.54" x 1.54"
- LR** - Ø2.75"
- SSS** - 1.60" x 1.54"
- SS1** - Ø1.90"
- SS2** - Ø1.90"

## Ordering Code:



Eg. MSW1-121-3K-SQ-BS

\*Only stocked in BS finish  
\*\*Only in Stainless Steel finish

## Driver Options\*:

**DR-24W12VDC-DIMA** - Dimmable Driver. 1-20 pcs.

\*Other drivers are available including non-dimmable drivers. Please visit <http://www.twicebright.com> to see other options.