

DR-XXXW-24VDC-DIMM-II - 24VDC Dimmable Drivers

Product Features:

- 120VAC input, 24VDC output
- 192W & 288W max. load
- cETLus Listed, Nemra 3R Outdoor use
- Leading edge dimming, works with magnetic & TRIAC dimmers
- Multi-output Class 2



Product Specifications:

Housing

- Powder coated steel construction.
- Approved for use indoor & outdoor locations, Nemra 3R enclosure.
- Dimensions (L x W x H):
192W - 11.30" x 4.73" x 4.26"
288W - 11.30" x 4.73" x 4.26"

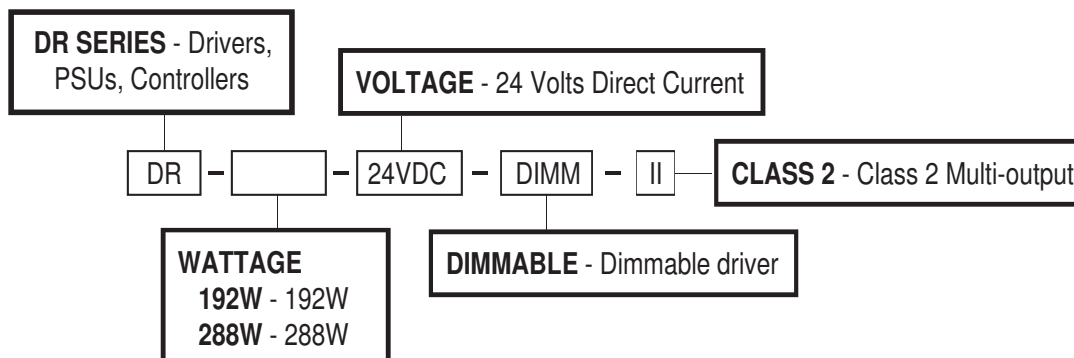
Technical

- 120VAC input, 24VDC output, 192W (96W x 2), 288W (96W x 3) max. load.
- Minimum load: None
- Multi-output Class 2
- Push-to-reset circuit breakers

Warranty

- Five year warranty against manufacturer defects in material or workmanship. Please refer to our Terms of Sale for full warranty terms and conditions.

Ordering Code:



Eg. DR-288W-24VDC-DIMM-II

