

DR-XXW-12VDC-DIMA - 12VDC Dimmable LED Drivers

Product Features:

- 100-120VAC input, 12VDC output
- 24W, 45W & 60W max. load
- cETLus Listed, Dry and Damp Location rated
- Universal dimming, works with all dimmers
- Smooth, stable, flicker-free dimming



Product Specifications:

Housing

- Solid polycarbonate construction.
- Approved for use in dry & damp locations.
- Dimensions (L x W x H):
24W - 6.10" x 2.13" x 0.79"
45W - 7.09" x 2.40" x 0.98"
60W - 7.09" x 2.36" x 1.38"

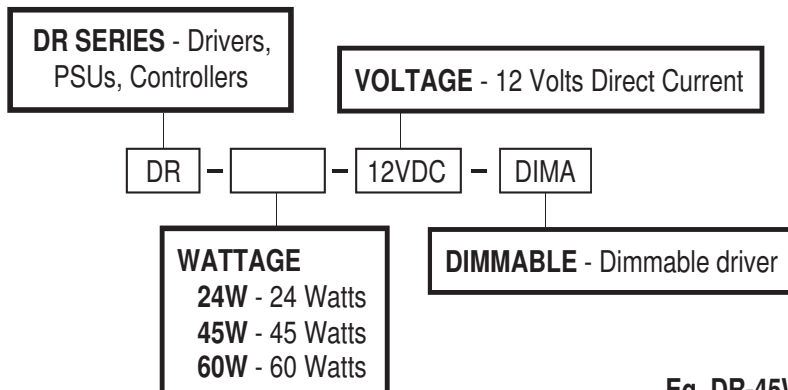
Technical

- 100-120VAC input, 12VDC output, 24W/45W/60W max. load.
- Minimum load: 1W (24W/45W), 3W (60W)
- Dimming range:
Standard Triac - 5~100%
Lutron CL - 0~100%
- Open circuit, short circuit, over load, over heat protection.

Warranty

- Three year warranty against manufacturer defects in material or workmanship. Please refer to our Terms of Sale for full warranty terms and conditions.

Ordering Code:



Eg. DR-45W-12VDC-DIMA