

MWW121 - Mini LED Walkway Light

Product Features:

- 1W, 95 lumens
- Walkway, driveway or wall recessed mount
- Small trim diameter - 1.9"
- Dimmable
- 304 stainless steel trims



Product Specifications:

Housing

- Anodized aluminum construction.
- 1" housing depth.
- Approved for use in wet locations, IP67.

Trims

- 304 stainless steel construction.
- Finish available: Stainless steel
- Approved for walk-over/drive-over applications.

Mounting

- Walkway, driveway or wall recessed mount.
- Installs into 1 3/8" diameter hole. Use 1 1/4" PVC pipe for concrete pour applications.

Electrical

- Input - 12VDC
- Power consumption - 1W
- Dimmable.

LEDs

- Single COB LED
- Color temperatures - 3000K, 6000K
- Lumens - 95m (3000k), 105lm (6000K)
- Beam spread - 45°

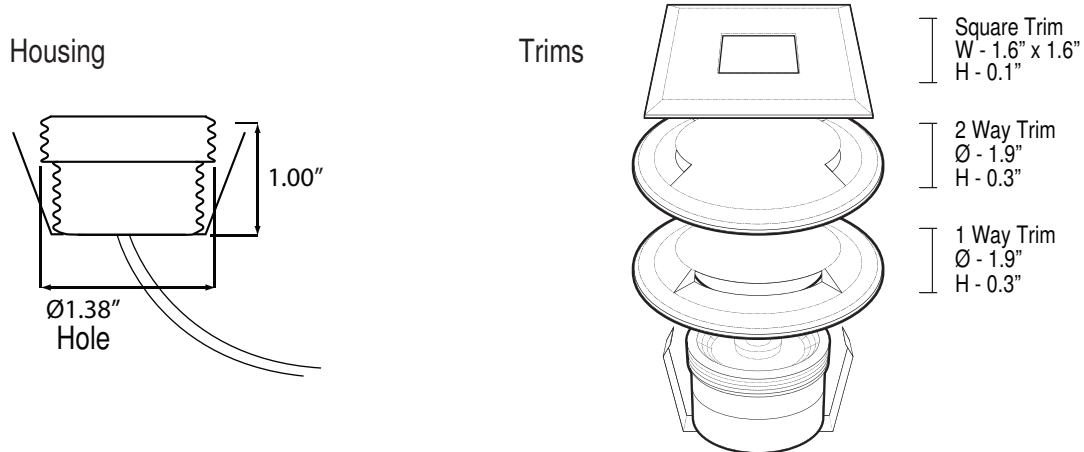
Warranty

- Three year warranty against manufacturer defects in material or workmanship. Please refer to our Terms of Sale for full warranty terms and conditions.

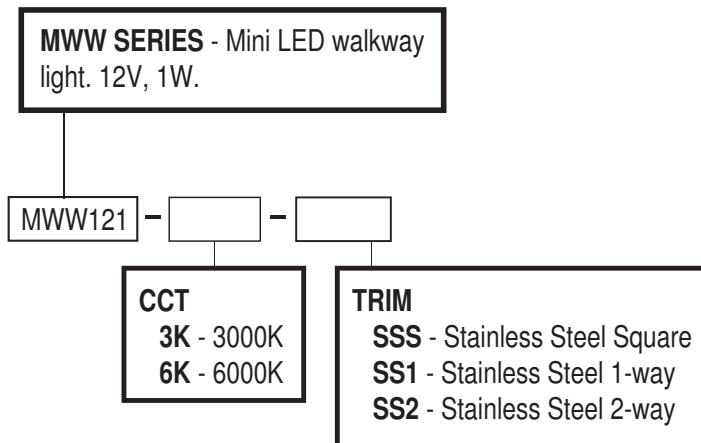


MWW121 - Mini LED Walkway Light

Product Dimensions:



Ordering Code:



Eg. MWW121-6K-SS2

Driver Options*:

DR-24W12VDC-DIMA - Dimmable Driver. 1-20 pcs.

*Other drivers are available including non-dimmable drivers. Please visit <http://www.twicebright.com> to see other options.