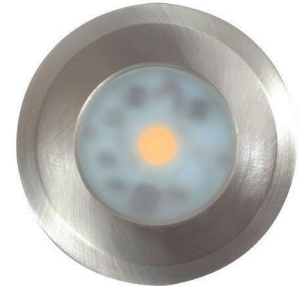


MSW124 - Mini LED Step/Wall Light

Product Features:

- 2 3/4" trim diameter
- 4W, 320 lumens
- Dimmable
- Step or wall recessed mount
- Removeable scoop trim option



Product Specifications:

Housing

- Powder coated aluminum construction.
- 1/2" housing depth.
- Approved for use in damp locations, IP65.

Finish

- Powder Coated. Brushed finish is sealed.
- Finishes available: Black (BL), Brushed Steel (BS), White (WH).

Mounting

- Step or wall recessed mount.
- Installs into 2 1/4" diameter hole.
- Removeable scoop trim option.

Electrical

- Input - 12VDC
- Power Consumption - 4W
- Dimmable.

LEDs

- Single COB LED
- Color temperatures - 3000K, 4000K, RGB
- Lumens - 320lm (3000k), 335lm (4000K)

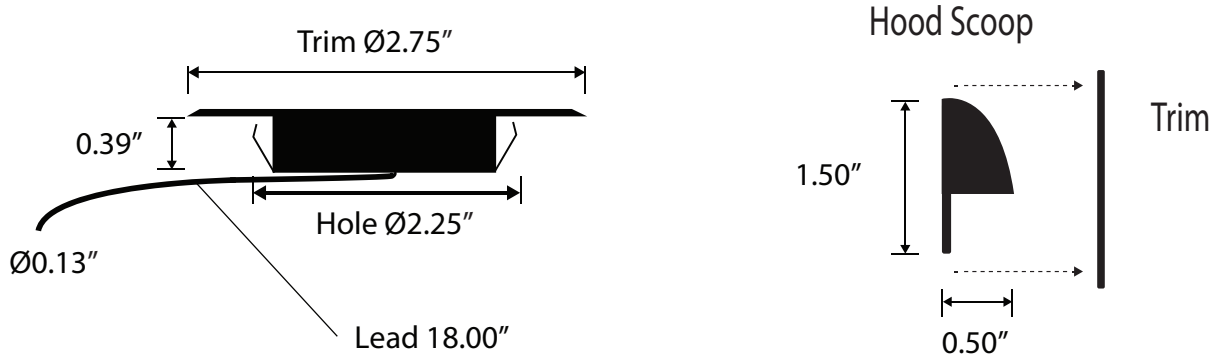
Warranty

- Three year warranty against manufacturer defects in material or workmanship. Please refer to our Terms of Sale for full warranty terms and conditions.

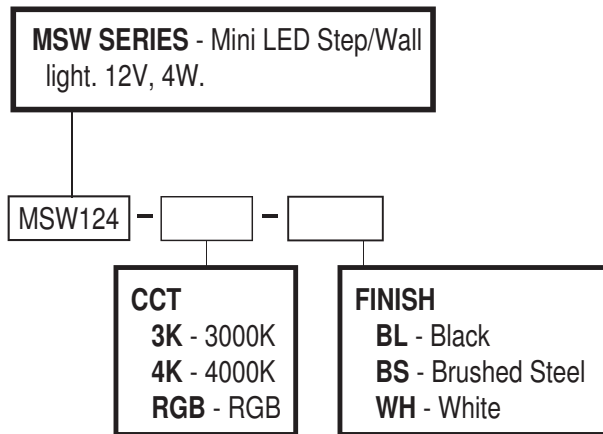


MSW124 - Mini LED Step/Wall Light

Product Dimensions:



Ordering Code:



Eg. MSW124-RGB-WH

Driver Options*:

- DR-24W12VDC-DIMA - Dimmable Driver. 1-5 pcs.
- DR-45W12VDC-DIMA - Dimmable Driver. 6-11 pcs.

*Other drivers are available including non-dimmable drivers. Please visit <http://www.twicebright.com> to see other options.