

DR-DMX-AMP - DMX Signal Amplifier

Product Features:

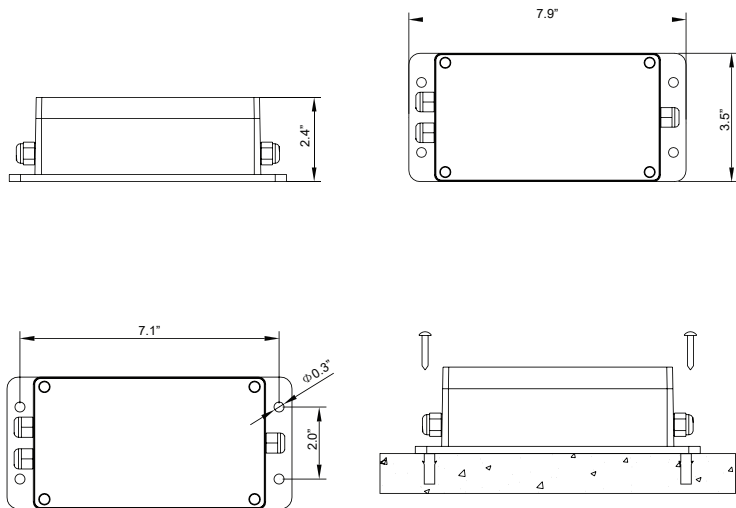
- DMX signal amplifier
- 120V - 240V input
- DMX IP68 3-pin XLR input & output
- Outdoor rated, IP65



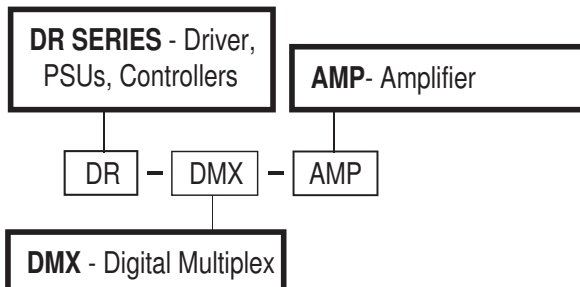
Product Specifications:

- Voltage: 120V/240V
- DMX IP68 3-pin XLR input & output
- Outdoor Rated, IP65
- ABS Plastic construction
- Working Temperature: -4°F ~ 140°F

Product Dimensions:



Ordering Code:



Eg. DR-DMX-AMP