

DR-RGBW-WIFI-CON - RGB/W WiFi CONTROLLER

Product Features:

- Controls RGB, RGBW, single color and CCT adjustable LED tape light
- Control with IOS or Android app over WiFi
- Set custom scenes
- Control up to 4 zones (3 zones for wall mount)



Product Specifications:

Controller

- Input: 12 - 36VDC, must use non-dimmable power supply.
- Output: 4 x 8A (12V=96W, 24V=192W, 36V=288W)
- WiFi controlled by APP installed on IOS or Android mobile devices while working with WiFi-RF converter.
- Brightness of each R, G, B and W can be adjusted to achieve millions of colors.
- Control up to 4 zones (3 zones for wall mount)
- Set custom scenes

Warranty

- Two year warranty against manufacturer defects in material or workmanship. Please refer to our Terms of Sale for full warranty terms and conditions.

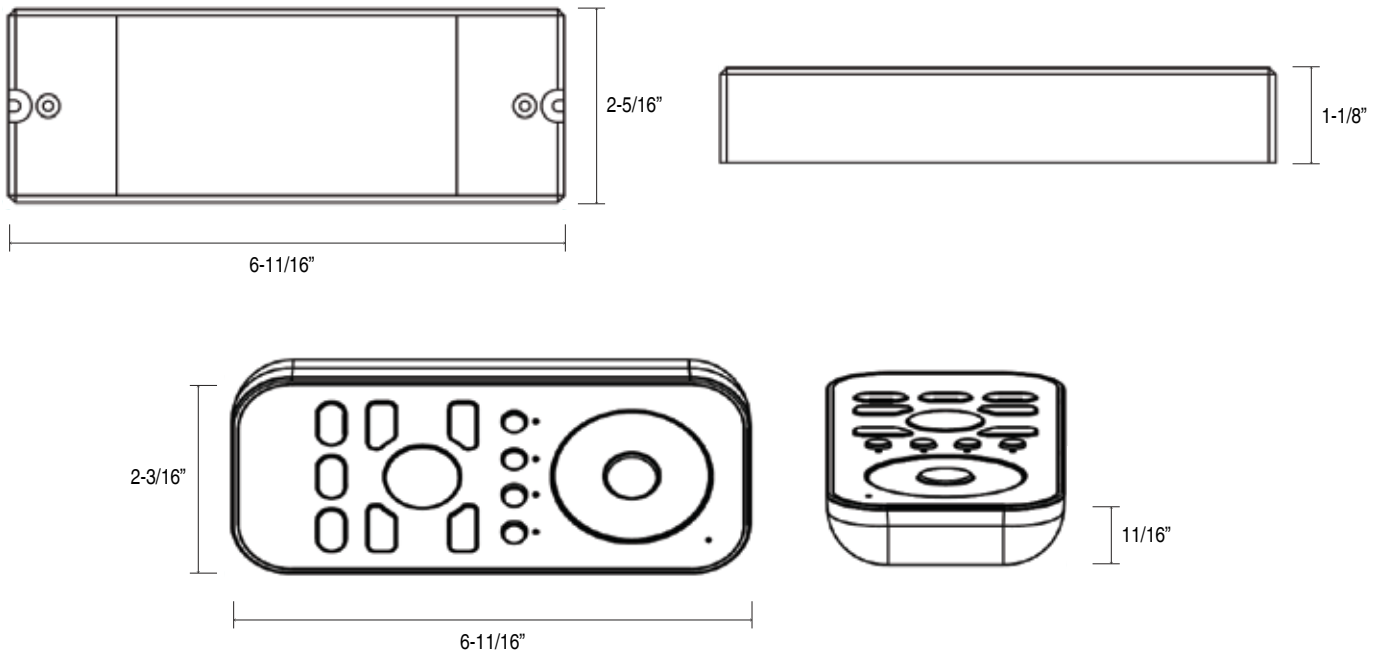
Remotes / Wall Mount

- All remotes and wall mounts are RF (Radio Frequency) Up to 100'.
- **DR-RGB-WIFI-REM** - for RGB LEDs
- **DR-RGBW-WIFI-REM** - for RGBW LEDs
- **DR-CCT-WIFI-REM** - for CCT LEDs
- **DR-SC-WIFI-REM** - for single color LEDs
- **DR-RGBW-WIFI-WM** - for RGBW LEDs
- Multi-zone, dimming and scene selection.

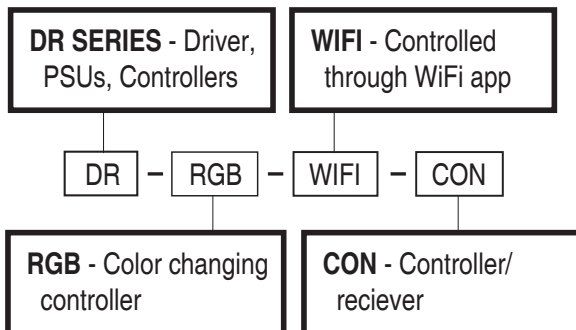


DR-RGBW-WIFI-CON - RGB/W WiFi CONTROLLER

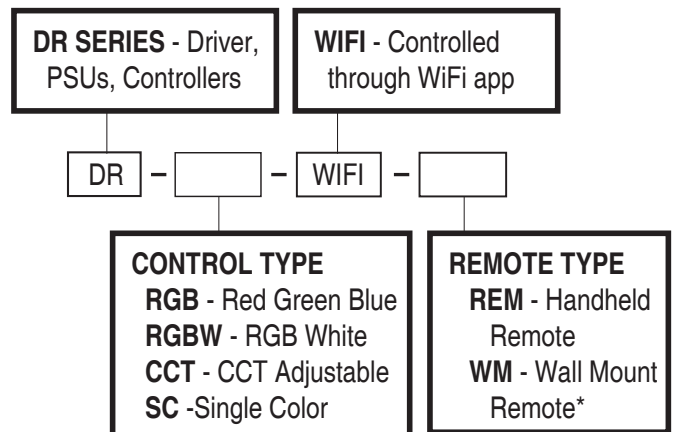
Product Dimensions:



Ordering Code:



Eg. DR-RGB-WIFI-CON



Eg. DR-RGBW-WIFI-REM

*WM - Wall mount only available for RGBW control