

XL3512TL - 2" Non-directional, Twist Lock, Round

Product Features:

- Integral LED light engine
- 120V input, 35V output
- Shallow 3 ½" depth housing
- IC Air Tight housing
- Convertible to Wet Location with WLTL



Product Specifications:

Housing

- Powder coated steel construction.
- Insulation Contact (IC) rated.
- Air Tight as per ASTM E283 Standard.
- Approved for use in dry and damp locations.
- Approved for feed-through wiring.
- 3 ½" housing depth.

Trim

- Round. Non-directional.
- Powder Coated. Brushed finishes are sealed.
- Finishes available: Black (BL), Brushed Steel (BS), Bronze (BZ), Chrome (CH), White (WH).
- Lamp secured with Twist Lock piece.

Mounting

- Installs into ⅜" - 1 ¼" ceiling thickness.
- Installs into 2 ¾" diameter hole.
- New Construction Mounting Plate (NCMP 2750) available. Comes with hanger bars.
- **WARNING:** Cannot be directly covered in polycell spray-in foam insulation.

Driver

- Electronic power supply.
- Input 110 - 130VAC 60Hz. Output 33-35VAC Max. 10W
- Instant on.
- Surge protection, overload & short circuit protection, high temperature protection.
- Requires reverse phase/electronic low voltage dimming.

LED Light Engine

- 35V 250ma input.
- CCT options: 2700K, 3000K, 4000K, 5000K
- High CRI (95+) options available in 2700K and 3000K.
- Beam spread options: 15°, 24°, 38°
- Delivered Lumens: 827 - 880lm, 830 - 915lm, 840 - 950lm, 750 - 1010lm, 927 - 600lm, 930 - 610lm

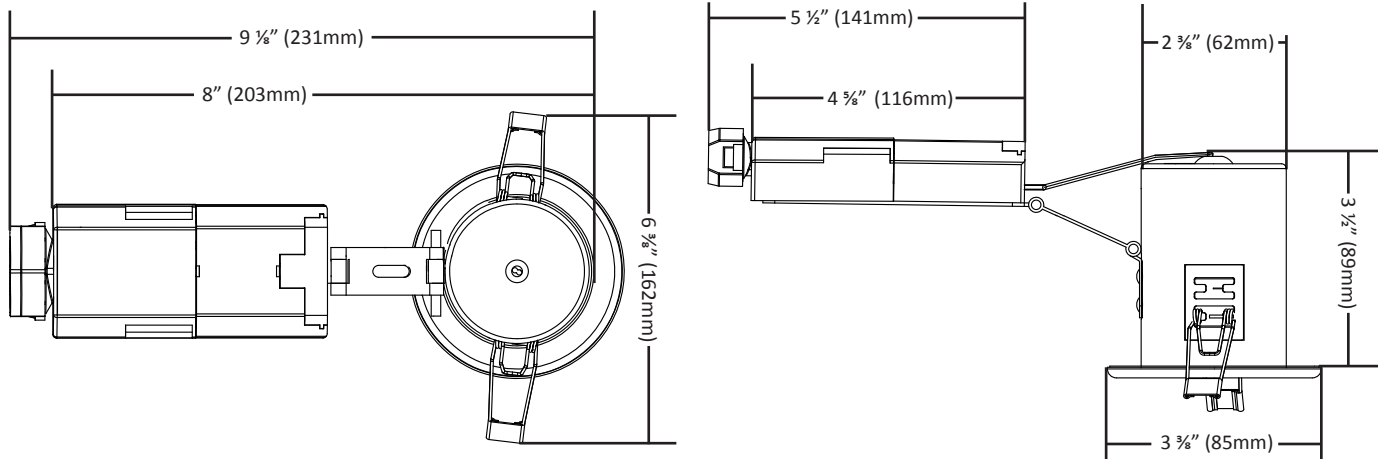
Warranty

- Five year LED module warranty. Please refer to our Terms of Sale for full warranty terms and conditions



XL3512TL - 2" Non-directional, Twist Lock, Round

Product Dimensions:



Accessories:

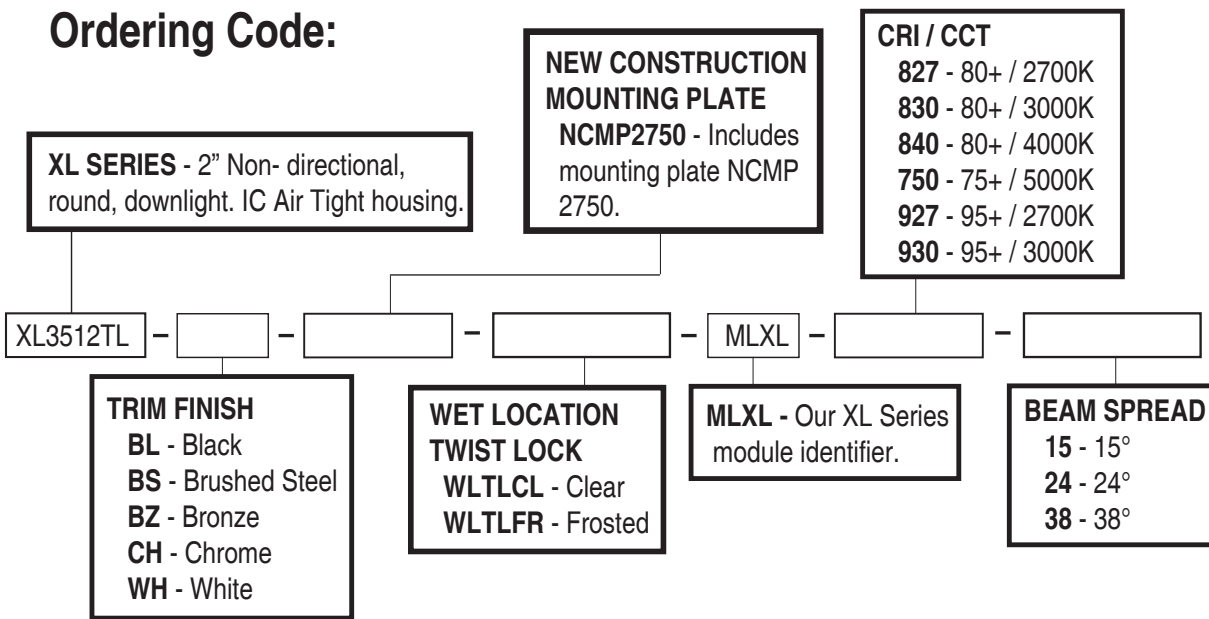
NCMP 2750 - New Construction Mounting Plate
Steel construction. 2 3/4" ø hole. Comes with hanger bars.

WLTl-XX-CL / WLTl-XX-FR - Wet Location Twist Lock
Clear or Frosted. Converts fixture from Damp Location to Wet Location for use in showers.

LENSES/FILTERS - Single 1/8" lenses or filters may be used with this fixture.



Ordering Code:



Eg. XL3512TL - WH - NCMP2750 - WLTlCL - MLXL-830-24