

# CL1220TI - 2" Directional, Round

## Product Features:

- 120V input, 12V output
- Shallow 2 ½" depth housing
- IC Air Tight housing
- CA Title 24 compliant when used with JA8 compliant lamps.



WORKS WITH  
**SORAA**<sup>®</sup>

## Product Specifications:

### Housing

- Powder coated steel construction.
- Insulation Contact (IC) rated.
- Air Tight as per ASTM E283 Standard.
- Approved for use in dry and damp locations.
- Approved for feed-through wiring.
- 2 ½" housing depth.
- CA Title 24 compliant when using Soraa Title 24 JA8 compliant lamps.

### Trim

- Round. Directional. Single gimbal 35° tilt.
- Powder Coated. Brushed finishes are sealed.
- Finishes available: Black (BL), Brushed Steel (BS), Bronze (BZ), Chrome (CH), White (WH).
- Lamp secured with wire retaining clip.

### Mounting

- Installs into ⅜" - 1 ¼" ceiling thickness.
- Installs into 3" diameter hole.
- New Construction Mounting Plate (NCMP 3000) available. Comes with hanger bars.
- **WARNING:** Cannot be directly covered in polycell spray-in foam insulation.

### Transformer

- Electronic transformer.
- Input 110 - 120VAC 60Hz. Output 12VAC Max. 20W
- Soft start circuitry.
- Surge protection, overload & short circuit protection, high temperature protection.
- Requires reverse phase dimming. See compatible dimmers list below.

### Lamp

- 12V 20W max. GU5.3 based lamp.
- Recommended lamp: 12V 7.5W max. Soraa LED lamp.
- Halogen alternative: 12V 20W max. aluminum backed lamp.

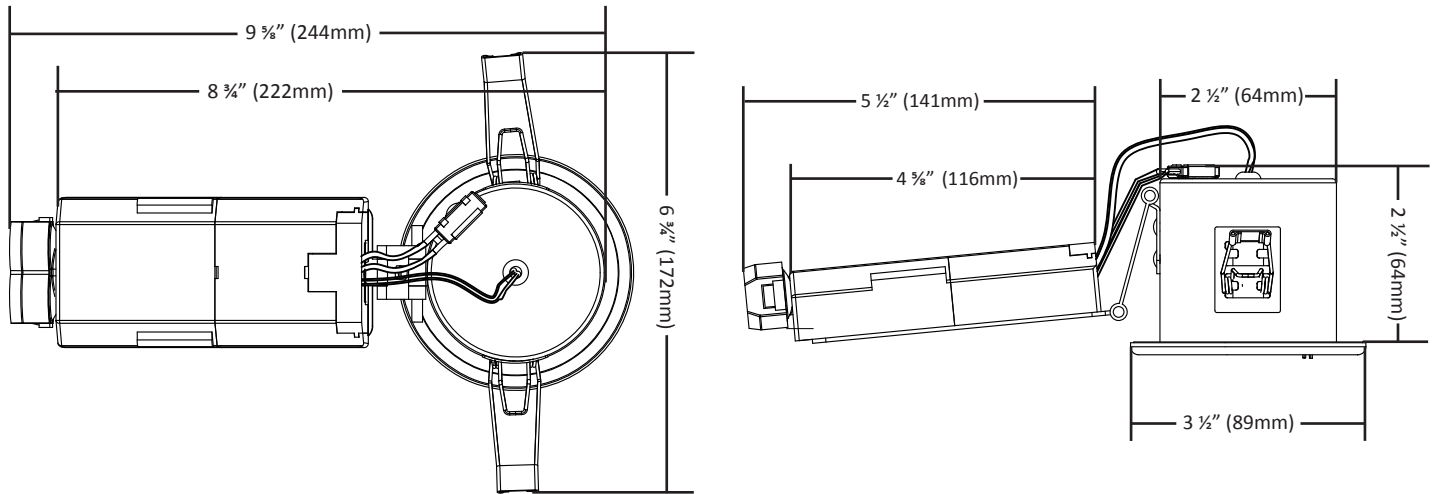
### Warranty

- Two year warranty against manufacturer defects in material or workmanship. Please refer to our Terms of Sale for full warranty terms and conditions.



## CL1220TI - 2" Directional, Round

### Product Dimensions:

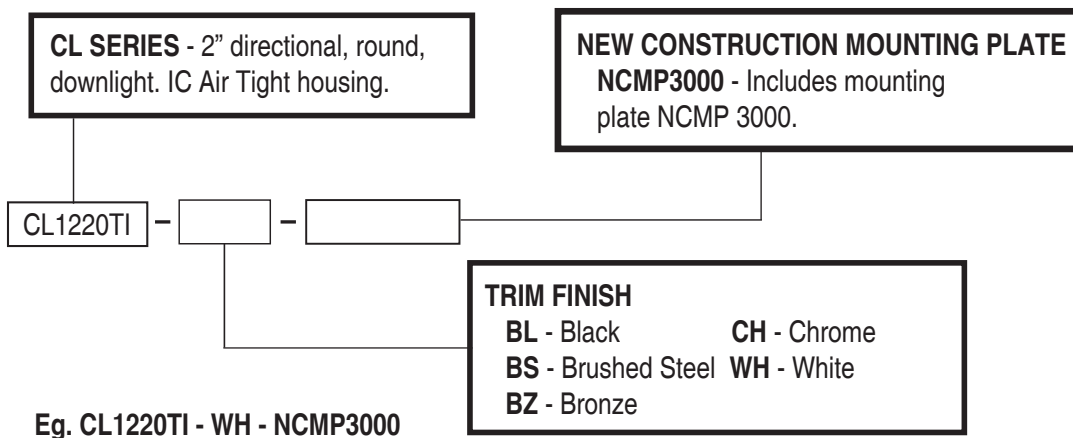


### Accessories:

**NCMP 3000** - New Construction Mounting Plate  
Steel construction. 3" ø hole. Comes with hanger bars.



### Ordering Code:



# CL1220TI - 2" Directional, Round

## Reccomended Soraa LEDs:

### Soraa Vivid 95 CRI:

Model	CCT (K)	Beam (°)	Power (W)	Lumens (lm)	CBCP	Energy Star	CA TITLE 24 JA8
SM16-07-10D-927-03	2700K	10°	7.5W	390	5710	✓	✓
SM16-07-25D-927-03	2700K	25°	7.5W	410	2260	✓	✓
SM16-07-36D-927-03	2700K	36°	7.5W	410	1070	✓	✓
SM16-07-10D-930-03	3000K	10°	7.5W	410	6000	✓	✓
SM16-07-25D-930-03	3000K	25°	7.5W	435	2400	✓	✓
SM16-07-36D-930-03	3000K	36°	7.5W	435	1130	✓	✓
SM16-07-10D-940-03	4000K	10°	7.5W	430	6290	✓	
SM16-07-25D-940-03	4000K	25°	7.5W	455	2510	✓	
SM16-07-36D-940-03	4000K	36°	7.5W	455	1190	✓	

### Soraa Brilliant 85 CRI:

Model	CCT (K)	Beam (°)	Power (W)	Lumens (lm)	CBCP	Energy Star	CA TITLE 24 JA8
SM16-07-10D-827-03	2700K	10°	7.5W	475	6950	✓	
SM16-07-25D-827-03	2700K	25°	7.5W	500	2760	✓	
SM16-07-36D-827-03	2700K	36°	7.5W	500	1310	✓	
SM16-07-10D-830-03	3000K	10°	7.5W	500	7320	✓	
SM16-07-25D-830-03	3000K	25°	7.5W	525	2900	✓	
SM16-07-36D-830-03	3000K	36°	7.5W	525	1370	✓	

## Compatible Dimmers\*:

**LUTRON** - Caseta PD-5NE-XX (8%)  
 Diva DVELV-300P (6%)  
 Graphik Eye QSGR+PHPM (6%)  
 LCP 128 120V Panel (6%)  
 Maestro MAELV-600 (9%)  
 NovaT NTELV-300 (8%)  
 Radio RA2 RRD-6NA (6%)  
 Skylark SELV-300P (9%)  
 Spacer System SPSELV-600 (9%)

**CRESTRON** - DIN-1DIMU4 (12%)

**MARLIN STELLAR** - RMS 4 (6%)



\*As tested with Soraa 7.5W generation 3 lamps