

AL12035 - 4" Non-directional, Round

Product Features:

- 120V 35W max.
- Shallow 4 ½" depth housing
- IC Air Tight housing
- Aluminum reflector series



WORKS WITH
SORAA[®]

Product Specifications:

Housing

- Powder coated steel construction.
- Insulation Contact (IC) rated.
- Air Tight as per ASTM E283 Standard.
- Approved for use in dry and damp locations.
- Approved for feed-through wiring.
- 4 ½" housing depth.

Trim

- Round. Non-directional.
- Powder Coated. Brushed finishes are sealed.
- Finishes available: Brushed Steel (BS), White (WH).
- Lamp secured by twisting into socket.

Warranty

- Two year warranty against manufacturer defects in material or workmanship. Please refer to our Terms of Sale for full warranty terms and conditions.

Mounting

- Installs into ¾" - 1 ¼" ceiling thickness.
- Installs into 3 ⅝" diameter hole.
- New Construction Mounting Plate (NCMP 3625) available. Comes with hanger bars.
- **WARNING:** Cannot be directly covered in polycell spray-in foam insulation.

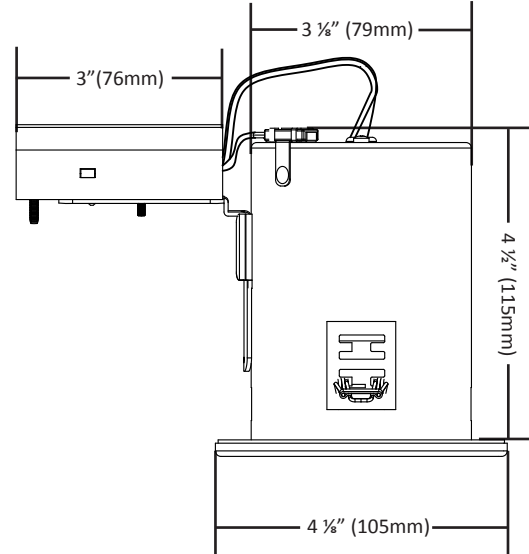
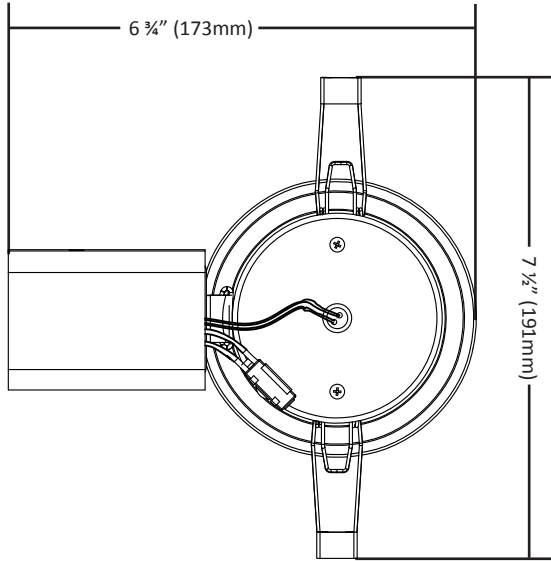
Lamp

- 120V 35W max. GU10 based lamp.
- Recommended lamp: 120V 9W max. Soraa LED lamp.
- Halogen alternative: 120V 35W max. aluminum backed lamp.



AL12025 - 4" Non-directional, Round

Product Dimensions:



Accessories: **NCMP 3625** - New Construction Mounting Plate
Steel construction. 3 5/8" ø hole. Comes with hanger bars.



Ordering Code:

AL SERIES - 4" Non-directional, round, downlight. IC Air Tight housing.

NEW CONSTRUCTION MOUNTING PLATE
NCMP3625 - Includes mounting plate NCMP 3625.

AL12035 - [] - []

TRIM FINISH
BS - Brushed Steel
WH - White

Eg. AL12035 - WH - NCMP3625

AL12035 - 4" Non-directional, Round

Reccomended Soraa LEDs:

Soraa Vivid 95 CRI*:

Model	CCT (K)	Beam (°)	Power (W)	Lumens (lm)	CBCP
SM16GA-09-25D-927-03	2700K	25°	9W	465	2570
SM16GA-09-36D-927-03	2700K	36°	9W	465	1210
SM16GA-09-60D-927-03	2700K	60°	9W	465	470
SM16GA-09-25D-930-03	3000K	25°	9W	490	2700
SM16GA-09-36D-930-03	3000K	36°	9W	490	1280
SM16GA-09-60D-930-03	3000K	60°	9W	490	500

Soraa Brilliant 85 CRI*:

Model	CCT (K)	Beam (°)	Power (W)	Lumens (lm)	CBCP
SM16GA-09-25D-827-03	2700K	25°	9W	560	3090
SM16GA-09-36D-827-03	2700K	36°	9W	560	1460
SM16GA-09-60D-827-03	2700K	60°	9W	560	570
SM16GA-09-25D-830-03	3000K	25°	9W	590	3260
SM16GA-09-36D-830-03	3000K	36°	9W	590	1540
SM16GA-09-60D-830-03	3000K	60°	9W	590	600

*This fixture is also compatible with Soraa's 7.5W GU10 line of lamps. The 7.5W lamps are available in 10° beam spread. See Soraa's full GU10 lamp offering at <https://www.soraa.com/19-MR16-GU10#>

Compatible Dimmers*:

Full lists of dimmer compatibility data are available at <https://www.soraa.com/resources/compatibility>

WORKS WITH
SORAA[®]